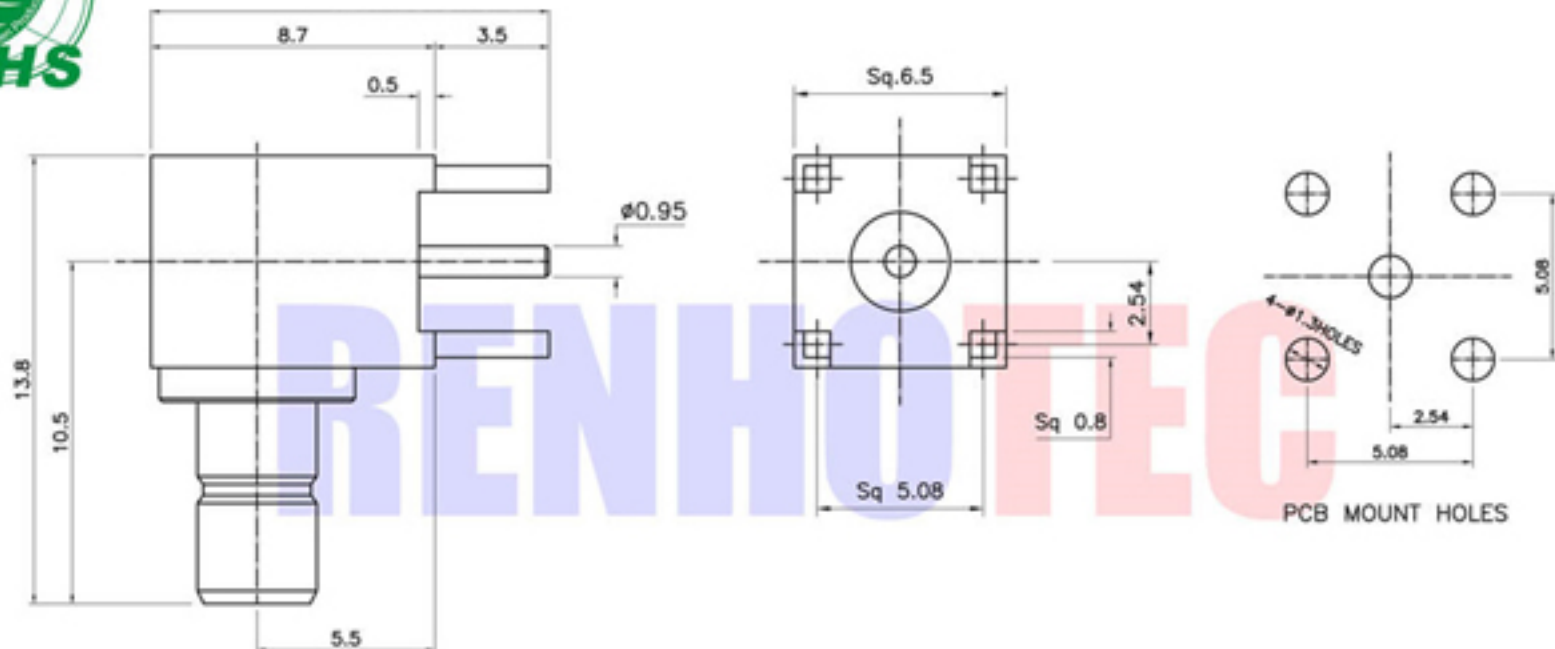




Product NO.	Renhotec-626-0237			
REV	DESCRIPTION	DWN	DATE	APPROVEN
A	First Issue	Mr. Wang	2017/3/7	John kine



Electrical Data  
 Impedance : 50 $\Omega$   
 Frequency range : DC~4 GHz  
 Insulation resistance:1000Mohms  
 Voltage rating : 500V RMS  
 V.S.W.R :  $\leq 1.20$   
 Temperature range :  $-65^{\circ}C \sim +125^{\circ}C$

Item	Materials	Plating
Body	Brass	Gold Plated
Center contact	Brass	Gold Plated
Insulator	PTFE	-

NOTE:		Tolerance	0-6	$\pm 0.10$
DRAWN Zelin. Zhang			6-30	$\pm 0.20$
2017/3/7		View	30-120	$\pm 0.30$
CHECKED			Angular	$\pm 2^{\circ}$
APPROVALS John Kine		UNIT	MM	
2017/3/7		SCALE	1:1	



RENHOTEC GROUP

Name: SMB R/A Jack PCB			
SIZE A	Product NO. RHT-626-0237	REV	
Date/Time 2017/3/7	CAD FILE D/company drawings/BD	SHEET: 1 OF 1	