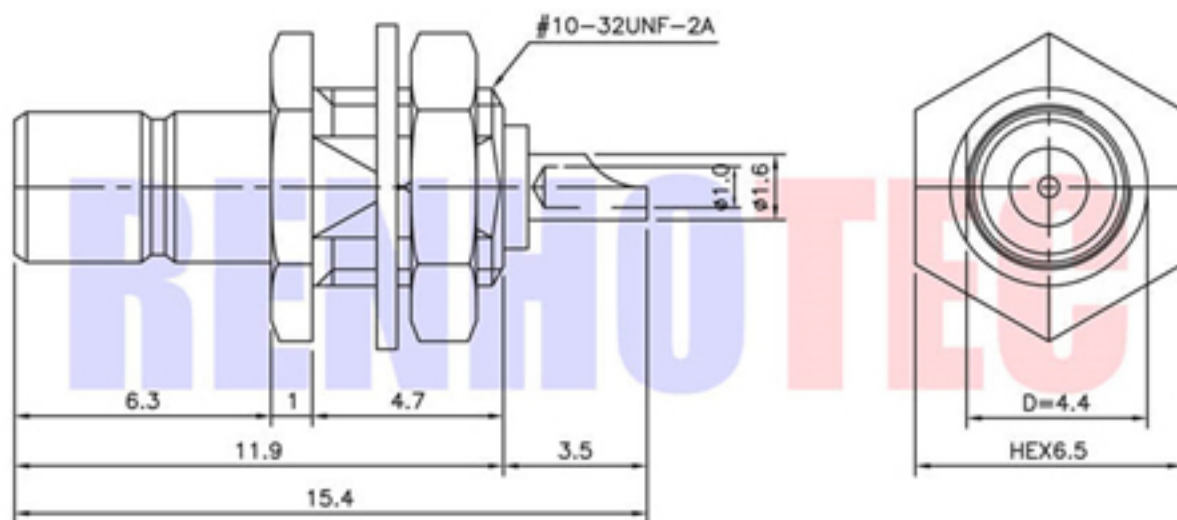




Product NO.	Renhotec-626-0223			
REV	DESCRIPTION	DWN	DATE	APPROVEN
A	First Issue	Mr. Wang	2017/3/6	John kine



Connector parts	Materials	Finish
Body,Nut,Washer	Brass	Gold Plated
Center contact	Brass	Gold Plated
Insulator	PTFE	-

SMB Bulkhead Receptacle
Front Mount-JACK (Solder pot)

NOTE:		Tolerance	0-6 ±0.10 6-30 ±0.20 30-120 ±0.30 Angular ±2°		
DRAWN	2017/3/6				
CHECKED		UNIT	MM	SIZE	Product NO. RHT-626-0223
APPROVALS	2017/3/6	SCALE	1:1	DateTime	CAD FILE
<i>John Kine</i>				2017/3/6	D/company drawings/BD
					SHEET: 1 OF 1