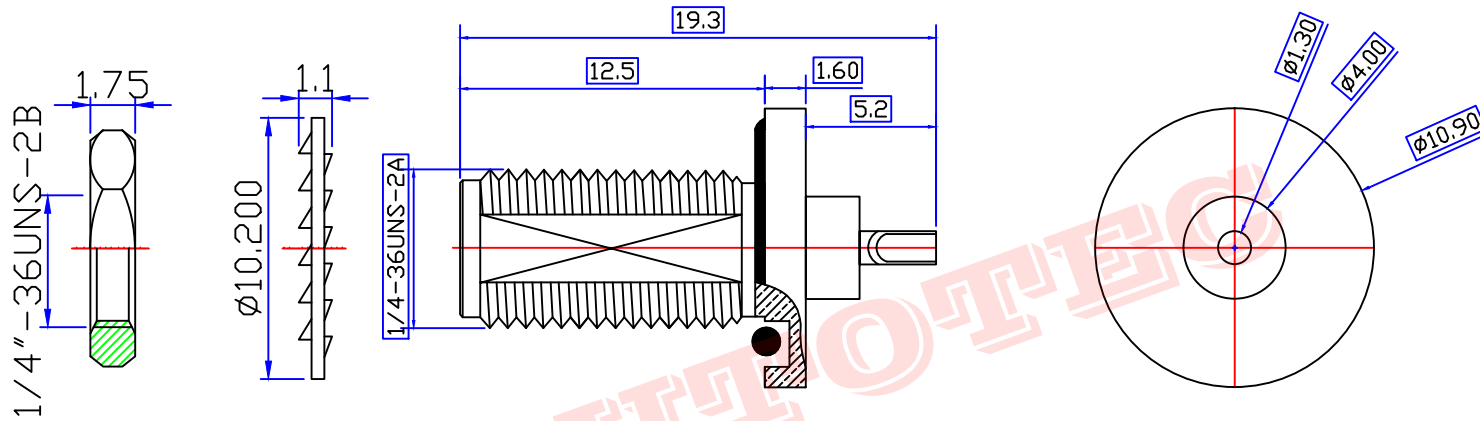




Product NO.	RHT-612-0403			
REV	DESCRIPTION	DWN	DATE	APPROVEN
A	First issue	Mr:chen	2017/2/13	John kine



**Specifications:**

IMPEDANCE: 50 Ohms  
 Frequency range: 0~6GHZ  
 VSWR: 1.5MAX  
 Working voltage: 500V rms @ sea level  
 Insulation resistance: 5000 Ohms min  
 Temperature range: -55°C TO +155°C  
 Relative temperature: ≤95% (40° C ± 2° C)

RENHOTEC

1	Body	Brass	GOLD	NOTE:  Tolerance 0-6 ±0.10 6-30 ±0.20 30-120 ±0.30 Angular ±2°  View		<b>RENHOTEC GROUP</b>
2	Insulator	TEFLON	White			
3	CONTACT PIN	BRASS	GOLD			
4	HEX NUT	BRASS	GOLD			
5	LOCR WASHER	BRASS	GOLD			
6	GASKET	SILICONE	BLACK			
7						
8						
9						
10						
NO	Component Number	Material	Finish	DRAWN Zelin.chen CHECKED  APPROVALS John Kine	2017/02/ 13  13/02.2017  SCALE 1:1	Name: SMA JACK  SIZE A DateTime 2017/2/13 CAD FILE D/company drawings/BD SHEET: 1 OF 1
1	2	3	4	5	6	