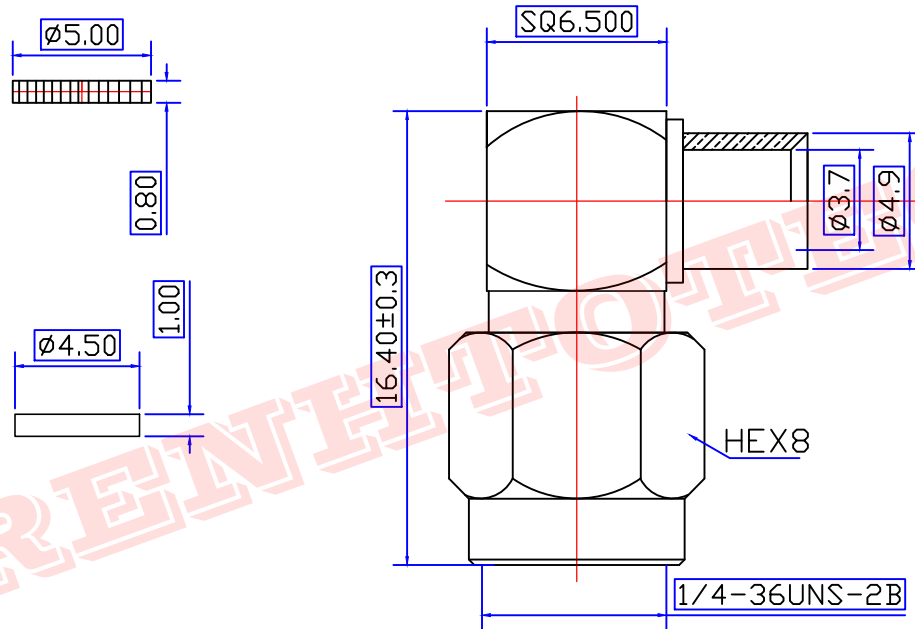




Product NO.	RHT-612-0311			
REV	DESCRIPTION	DWN	DATE	APPROVEN
A	First issue	Mr:chen	2017//13	John kine



Specifications:

IMPEDANCE: 50 Ohms
 Frequency range: 0~6GHZ
 VSWR: 1.5MAX
 Working voltage: 500V rms @ sea level
 Insulation resistance: 5000 Ohms min
 Temperature range: -55°C TO +155°C
 Relative temperature: ≤95% (40° C ± 2° C)

1	Shell	Brass	AU:1-3u"	NOTE:	Tolerance	0-6	±0.10	RENHOTEC GROUP www.renhotec.com			
2	Body	Brass	AU:1-3u"			6-30	±0.20				
3	Insulator	TEFLON	None			30-120	±0.30				
4						Angular	±2°				
5				DRAWN	2017/02/	View		Name: SMA JWB3			
6				Zelin.chen	13						
7				CHECKED							
8						UNIT	MM	SIZE	Product NO. RHT-612-0311	REV	
9								A		a	
10				APPROVALS	13/02.2017	SCALE	1:1	DateTime	2017/2/13	CAD FILE	SHEET: 1 OF 1
NO	Component Number	Material	Finish	John Kine					D/company drawings/BD		