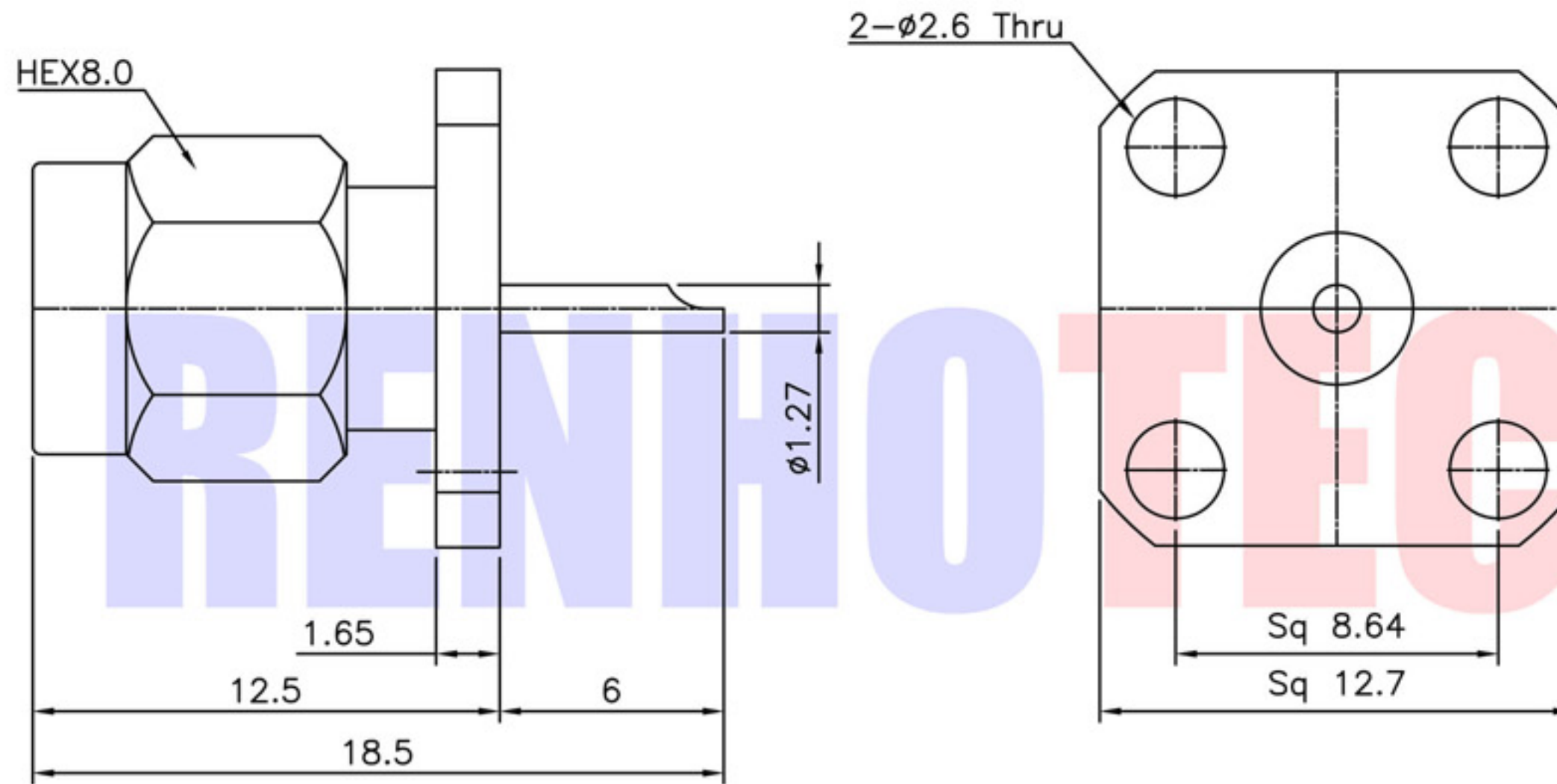




|             |                   |          |          |           |
|-------------|-------------------|----------|----------|-----------|
| Product NO. | Renhotec-612-0234 |          |          |           |
| REV         | DESCRIPTION       | DWN      | DATE     | APPROVEN  |
| A           | First issue       | Mr. Wang | 2017/3/1 | John kine |



| Connector parts | Materials | Finish      |
|-----------------|-----------|-------------|
| Coupling cap    | Brass     | Gold plated |
| Body            | Brass     | Gold plated |
| Center contact  | Brass     | Gold plated |
| Insulator       | PTFE      |             |

|           |          |           |                                                                                 |                                                                                 |                          |               |
|-----------|----------|-----------|---------------------------------------------------------------------------------|---------------------------------------------------------------------------------|--------------------------|---------------|
| NOTE:     |          | Tolerance | 0-6 $\pm 0.10$<br>6-30 $\pm 0.20$<br>30-120 $\pm 0.30$<br>Angular $\pm 2^\circ$ | <b>RENHOTEC GROUP</b><br><a href="http://www.renhotec.com">www.renhotec.com</a> |                          |               |
| DRAWN     | 2017/3/1 |           |                                                                                 |                                                                                 | View                     |               |
| CHECKED   |          | UNIT      | MM                                                                              | Name: SMA 4Hole Panel Plug Receptacle                                           |                          |               |
| APPROVALS | 2017/3/1 | SCALE     | 1:1                                                                             | SIZE A                                                                          | Product NO. RHT-612-0234 | REV B         |
| John Kine |          |           |                                                                                 | DateTime                                                                        | CAD FILE                 | SHEET: 1 OF 1 |
|           |          |           |                                                                                 | 2017/3/1                                                                        | D/company drawings/BD    |               |