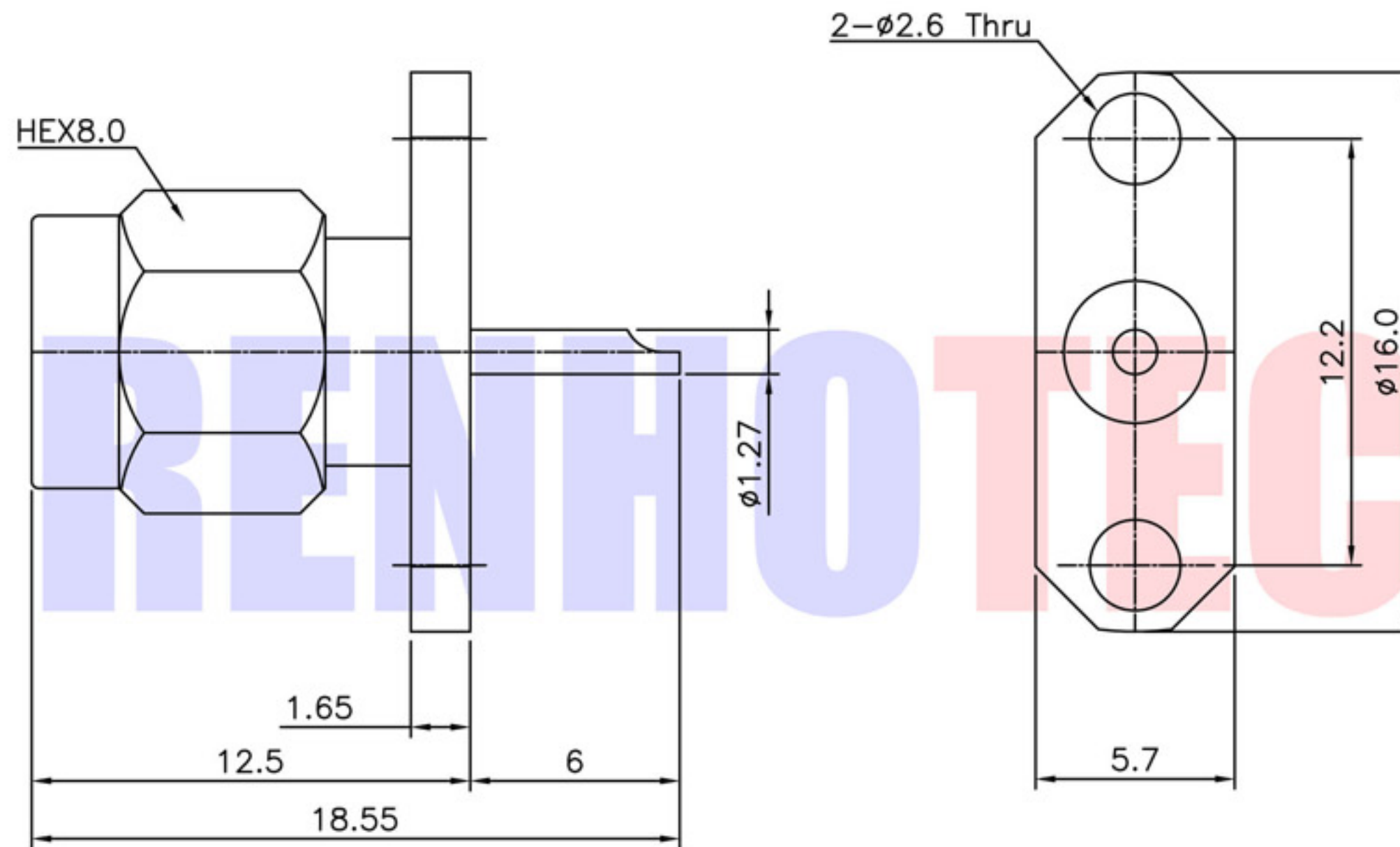




Product NO.	Renhotec-612-0219			
REV	DESCRIPTION	DWN	DATE	APPROVEN
A	First issue	Mr. Wang	2017/3/1	John kine



Connector parts	Materials	Finish
Coupling cap	Brass	Gold plated
Body	Brass	Gold plated
Center contact	Brass	Gold plated
Insulator	PTFE	

NOTE:		Tolerance 0-6 ±0.10 6-30 ±0.20 30-120 ±0.30 Angular ±2°	RENHOTEC GROUP www.renhotec.com
DRAWN Zelin. Zhang	2017/3/1		
CHECKED		View 	Name: SMA 2Hole Panel Plug Receptacle
APPROVALS <i>John Kine</i>	2017/3/1	UNIT MM	SIZE A
		SCALE 1:1	Product NO. RHT-612-0219
			DATE 2017/3/1
			CAD FILE D/company drawings/BD
			SHEET: 1 OF 1