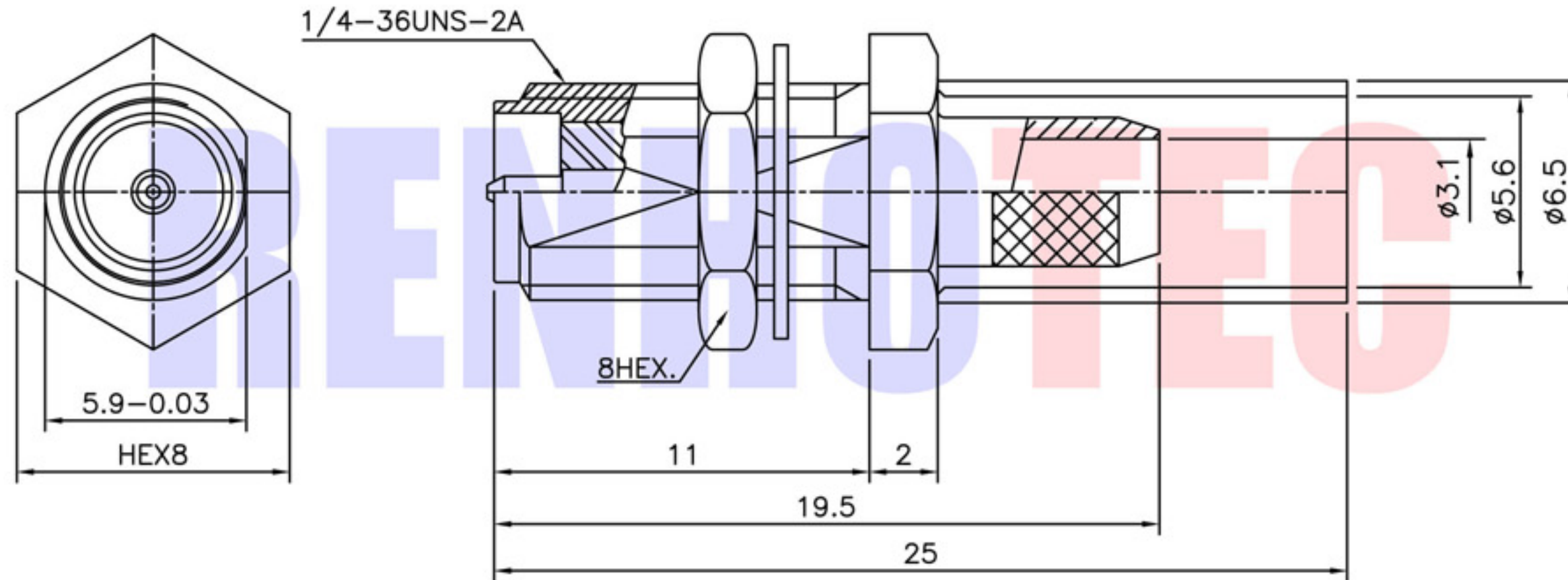




SPECIFICATIONS.

- 1.1 Impedance: 50ohm
- 1.2 Frequency Range: per cable per MIL-C-17
- 1.3 Working Voltage rating: 335 Vrms
- 1.4 Dielectric Withstanding Voltage: 1000 Vrms
- 1.5 VSWR: 1.2:1 Max
- 1.6 Insulation Resistance: 5,000 megohms
- 1.7 Connector Durability: 500 mating
- 1.8 Temperature Range: -45°C~+155°C

Product NO.	Renhotec-612-0218			
REV	DESCRIPTION	DWN	DATE	APPROVEN
A	First issue	Mr. Wang	2017/3/1	John kine



Connector parts	Materials	Finish
Body,Nut	Brass	Gold Plated
Center contact	Brass	Gold Plated
Insulator	PTFE	-
Ferrule	Brass	Gold Plated

NOTE:		Tolerance	0-6	±0.10
DRAWN Zelin. Zhang 2017/3/1			6-30	±0.20
CHECKED		View	30-120	±0.30
APPROVALS John Kine 2017/3/1			Angular	±2°
		UNIT	MM	
		SCALE	1:1	



RENHOTEC GROUP

Name: SMA Bulkhead Jack (Reverse Polarity) for Cable RG400			
SIZE A	Product NO. RHT-612-0218	REV B	
DateTime 2017/3/1	CAD FILE D/company drawings/BD	SHEET: 1 OF 1	