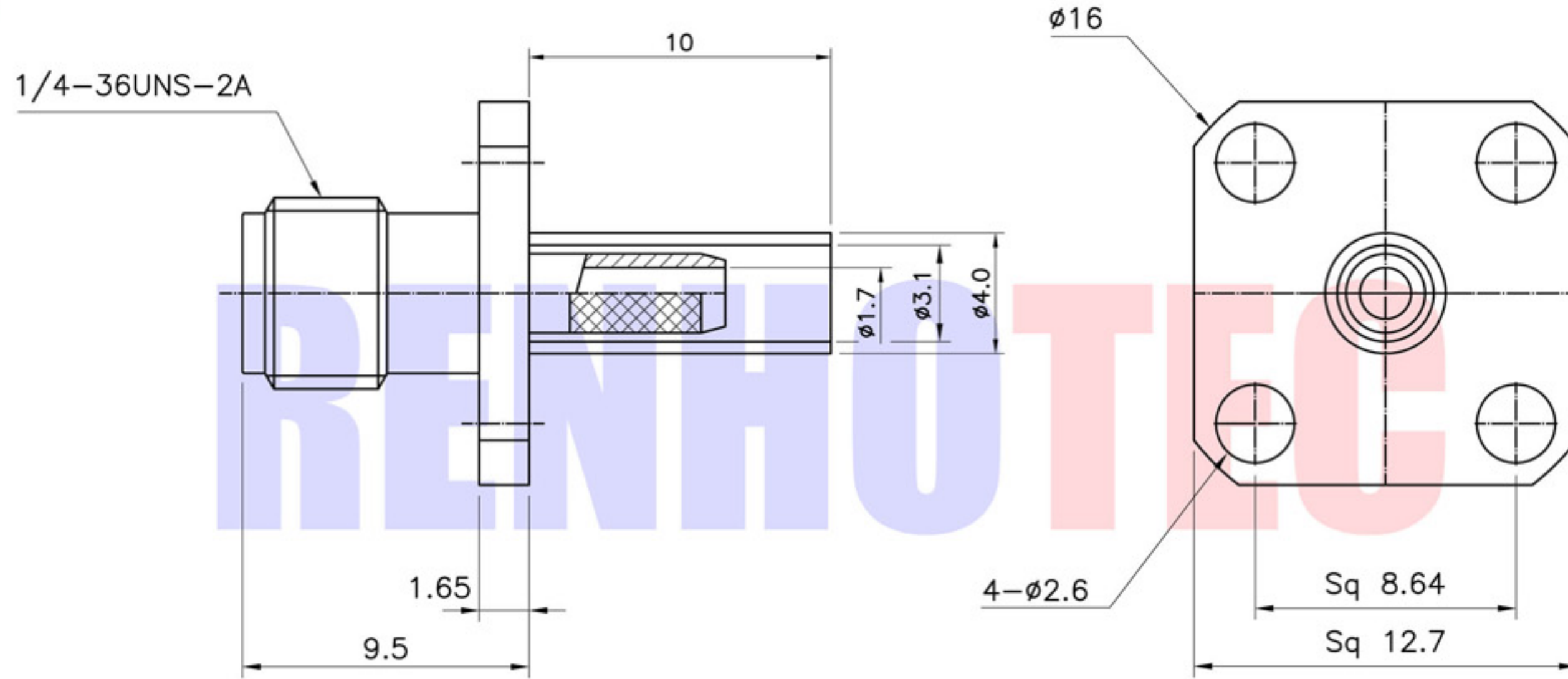




Product NO.	Renhotec-612-0215			
REV	DESCRIPTION	DWN	DATE	APPROVEN
A	First issue	Mr. Wang	2017/3/1	John kine



Item	Materials	Plating
Body	Brass	Gold Plated
Center contact	Beryllium copper	Gold Plated
Insulator	TEFLON	-
Ferrule	Brass	Gold Plated

NOTE:		Tolerance	0-6 ±0.10 6-30 ±0.20 30-120 ±0.30 Angular ±2°	RENHOTEC GROUP www.renhotec.com				
DRAWN	Zelin. Zhang 2017/3/1				View		Name: SMA Panel 4Hole Jack for Cable RG316	
CHECKED		UNIT	MM	SIZE A	Product NO. RHT-612-0215	REV B		
APPROVALS	John Kine 2017/3/1	SCALE	1:1	DateTime	2017/3/1	CAD FILE	D/company drawings/BD	SHEET: 1 OF 1