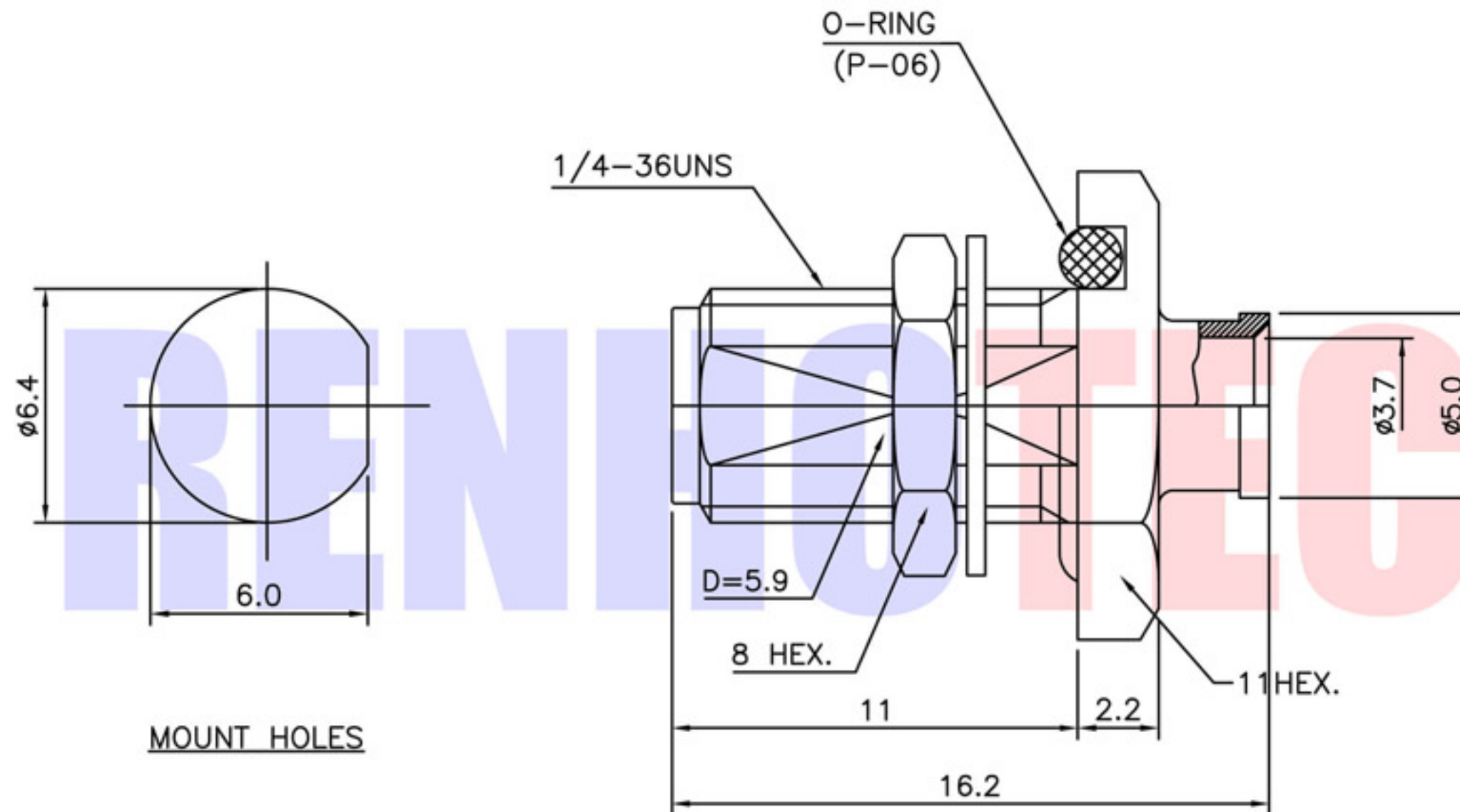




Product NO.	Renhotec-612-0208			
REV	DESCRIPTION	DWN	DATE	APPROVEN
A	First issue	Mr. Wang	2017/3/1	John kine



Connector parts	Materials	Finish
Body	Brass	Gold Plated
Center contact	Beryllium copper	Gold Plated
Insulator	PTFE	-

NOTE:		Tolerance	0-6	±0.10	 www.renhotec.com	
			6-30	±0.20		
			30-120	±0.30	Name: SMA Bulkhead Jack for Cable UT141 with Seal	
			Angular	±2°	View	
DRAWN	Zelin. Zhang	2017/3/1	UNIT		MM	SIZE A
CHECKED			SCALE		1:1	Product NO. RHT-612-0208
APPROVALS	John Kine	2017/3/1	DateTime		2017/3/1	CAD FILE
			D/company drawings/BD			SHEET: 1 OF 1