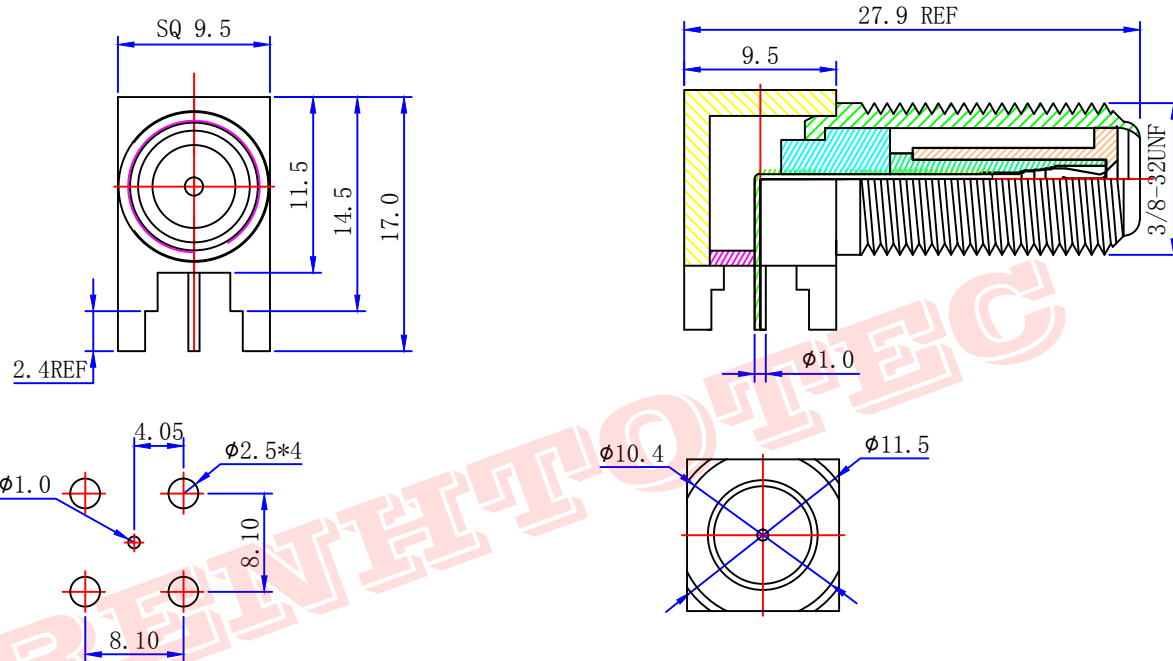




Product NO.	RHT-611-0332			
REV	DESCRIPTION	DWN	DATE	APPROVEN
A	First issue	Mr.CHEN	2016/11/12	John kine



**SPECIFICATIONS:**

Impedance: 75 Ohms  
 Frequency Range: DC~3G  
 VSWR: 30dB Return loss @ 1GHZ  
 Working Voltage: 15 watts continuous  
 Insulation Resistance: 5000 Ohms min  
 Temperature Range: -40°C TO +60°C  
 Drawings products are in line with ROHS standards

1	Body	BARSS	NI:80-120u"	NOTE:	Tolerance	0-6	±0.10	<b>RENHOTEC GROUP</b> <a href="http://www.renhotec.com">www.renhotec.com</a>	Name: F Jack Right angle PCB Mount
2	Insulator	Pom	White			6-30	±0.20		
3	Center contact	Phosphor	AU:1-3u"			30-120	±0.30		
4						Angular	±2°		
5				DRAWN	2016/11/	View		SIZE	Product NO. RHT-611-0332
6				Zelin.CHEN	12				
7				CHECKED		UNIT	MM	REV	A
8				APPROVALS	12/11.2016	SCALE	1:1	DateTime	CAD FILE
9								John	2016/11/12
NO	Component Number	Material	Finish	Kine					