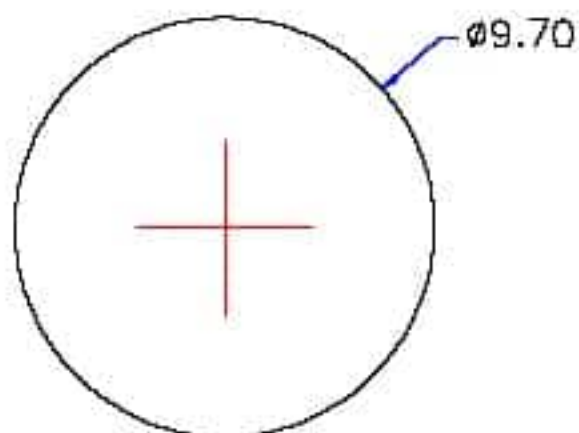
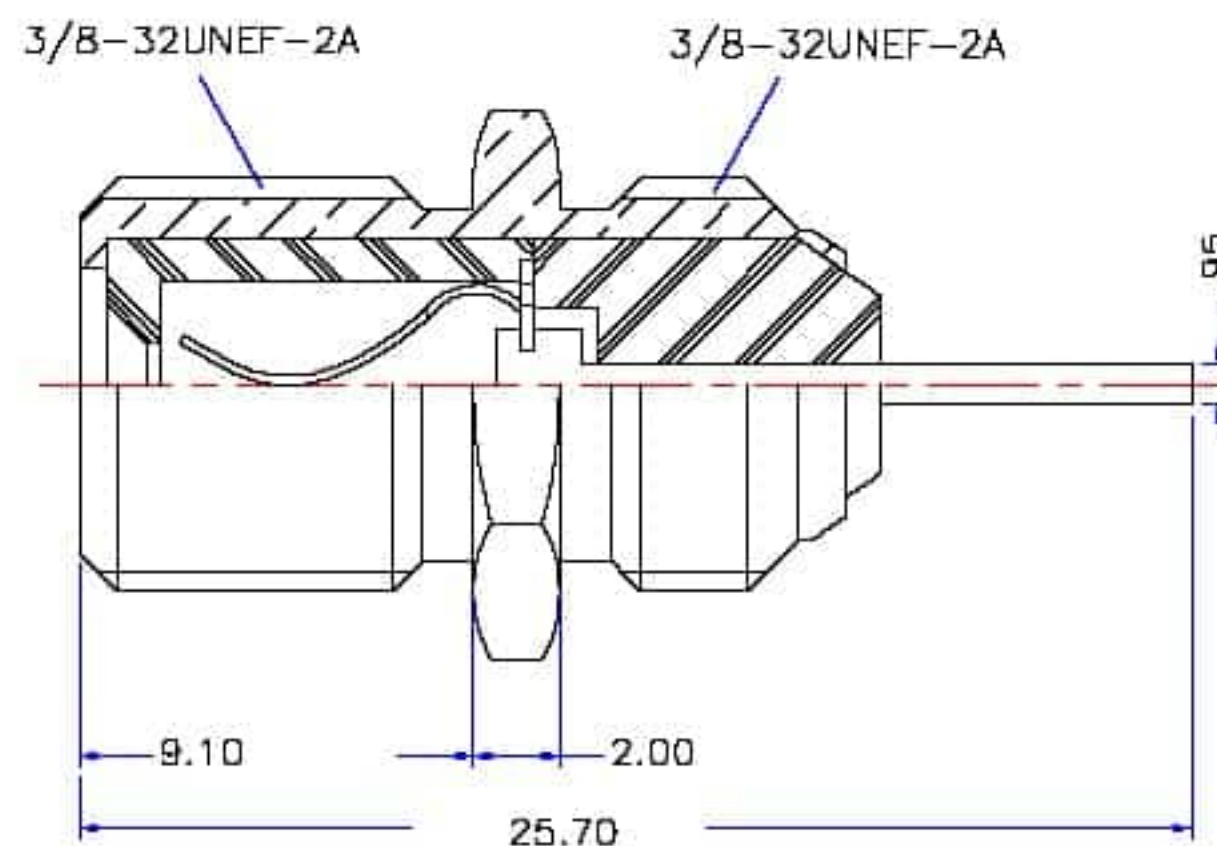
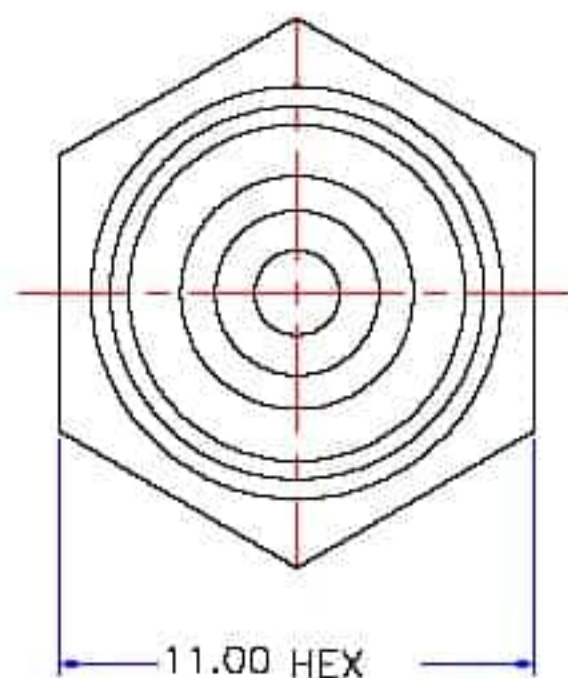




Product NO.	Renhotec-611-0024			
REV	DESCRIPTION	DWN	DATE	APPROVEN
A	First issue	Mr. chen	2016/3/17	John kine



RECOMMENDED MOUNTING HOLE DIMENSIONS



SPECIFICATIONS:

- Impedance: 75 Ohms
- Frequency Range: DC~3G
- VSWR: 30dB Return loss @ 1GHZ
- Working Voltage: 15 watts continuous
- Insulation Resistance: 5000 Ohms min
- Temperature Range: -40°C TO +60°C
- Drawings products are in line with ROHS standards

8				
7				
6				
5	GASKET	N.B.R.	BLACK	1
4	INSULATOR	DELRIN	NATURAL	1
3	CONTACT PIN	BRASS	BRIGHT TIN	1
2	INSULATOR	P.P	NATURAL	1
1	BODY	BRASS	NICKEL	1
	DESCRIPTION	MATERIAL	FINISH	QTY

NOTE:	
DRAWN	2016/03/17
Zelin. Zhang	
CHECKED	
APPROVALS	17/03.2016
John Kine	

Tolerance	0-6	±0.10
	6-30	±0.20
View	30-120	±0.30
	Angular	±2°
UNIT	MM	
SCALE	1:1	

RENHOTEC **RENHOTEC GROUP**
www.renhotec.com

Name: F Jack CONNECTOR

SIZE	Product NO. RENHOTEC-611-0024	REV
A		

DateTime: 2016/3/17
CAD FILE: D/company drawings/BD
SHEET: 1 OF 1