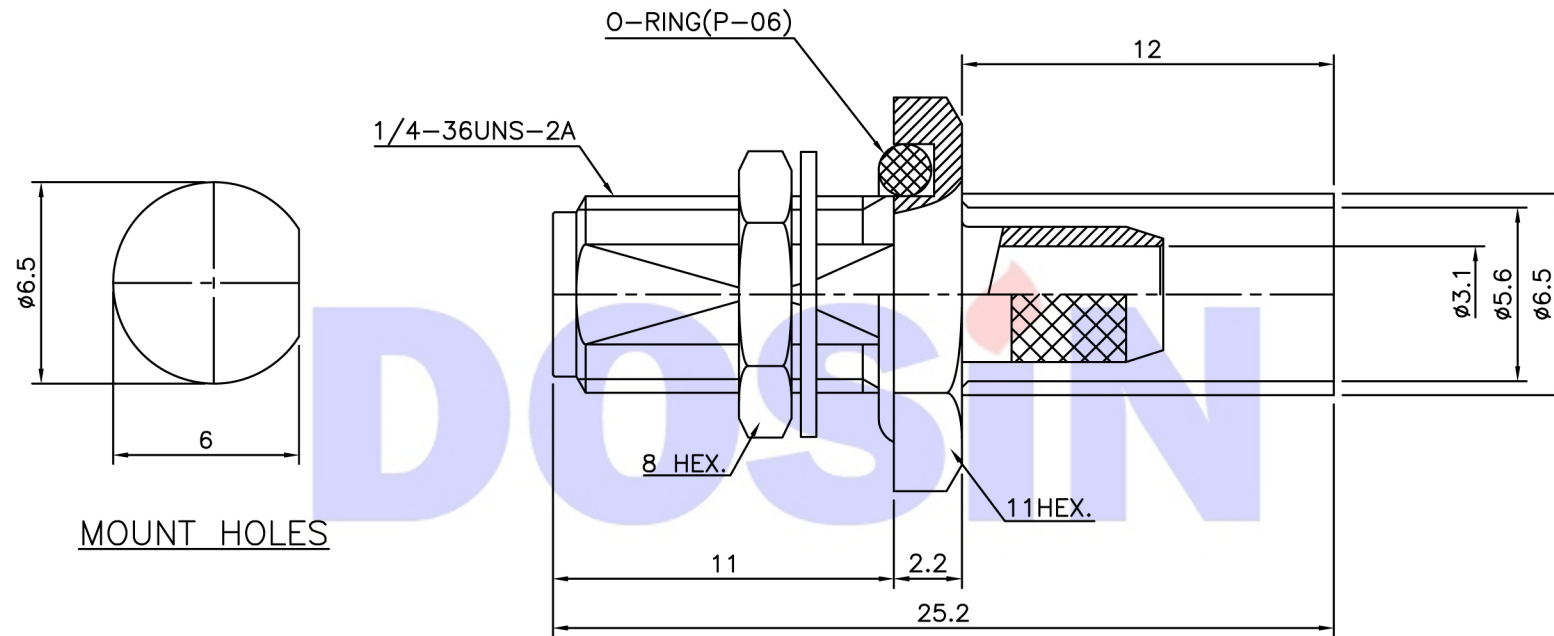





| | | | | |
|----------------------------|-------------|-----|-------------|-----------|
| Product NO. DOSIN-806-1017 | | | | |
| REV | DESCRIPTION | DWN | DATE | APPROVEN |
| A | First issue | JIM | 2017. 3. 13 | John kine |



| Connector parts | Materials | Finish |
|-----------------|------------------|-------------|
| Body | Brass | Gold Plated |
| Center contact | Beryllium copper | Gold Plated |
| Insulator | PTFE | - |
| Ferrule | Brass | Gold Plated |
| O-Ring | Silicone rubber | - |

| | | | | |
|-----------------------|--|-----------|---------|-------|
| NOTE: | | Tolerance | 0-6 | ±0.05 |
| DRAWN Zelin. Zhang | | | 6-30 | ±0.10 |
| 2017. 3. 13 | | View | 30-120 | ±0.20 |
| CHECKED | | | Angular | ±2° |
| APPROVALS John | | UNIT | MM | |
| | | SCALE | 1:1 | |


Dosin Industrial(H.K)Co.Ltd
 东莞市德索五金电子制品有限公司
Dosin Hardware Electronics Co.,Ltd
 E-mail:dosin2005@163.com
 dosin2005@dosin-china.com
 Web:http://www.dosinconn.com
 TEL:(0086)769-81153906
 FAX:(0086)769-81875836

Name: SMA Bulkhead Jack with Seal for Cable RG400, 223
 SIZE A Product NO. DOSIN-806-1017 REV B
 DateTime 2017. 3. 13 CAD FILE D/company drawings/BD SHEET: 1 OF 1