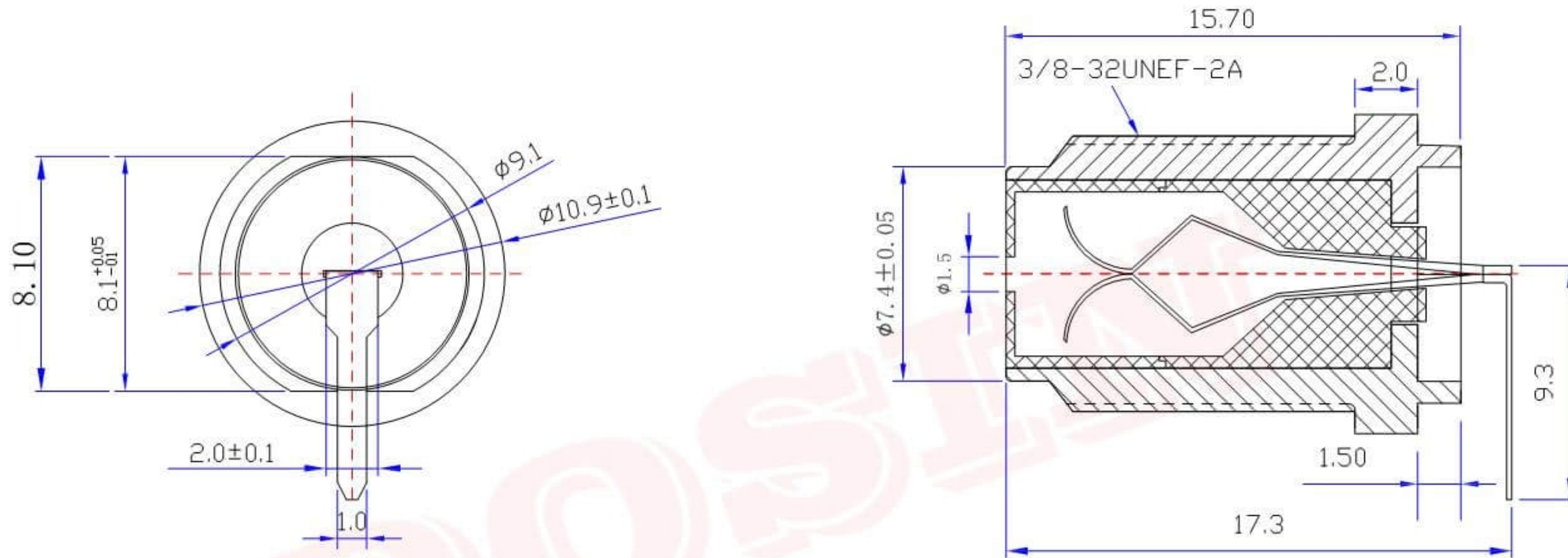




Product NO.		DOSIN-803-0048		
REV	DESCRIPTION	DWN	DATE	APPROVEN
A	First issue	Gavin	2018/06/19	John kine
B				



Specifications:

IMPEDANCE: 75 Ohms
 Frequency range: 0~3GHZ
 VSWR: 30dB Return loss @ 1GHZ
 Working voltage: 15Voltage continuous
 Insulation resistance: 5000 Ohms min
 Temperature range: -40°C TO +60°C
 Relative temperature: ≤95% (40° C ± 2° C)

1	BODY	BRASS	NI:80-120u"	1
2	Insulator	PP	White	1
3	PIN	Phosphor	SN	1
4				
5				
6				
7				
8				
9				
10				
NO	Component Number	Material	Finish	QTY

NOTE:	
DRAWN	Gavin
CHECKED	
APPROVALS	John kine

Tolerance	X. ±0.15 X.X ±0.10 X.XX ±0.05 Angular ±5°
View	
UNIT	MM
SCALE	1:1

Dosin Industrial(H.K)Co.Ltd
 东莞市德索五金电子制品有限公司
 Dosin Hardware Electronics Co.,Ltd
 dosin2005@dosin-china.com
 Web: http://www.china-guan.com
 TEL: (0086)769-81153906
 FAX: (0086)769-81875836

Name: F JACK Right angle PCB Mount
 SIZE A Product NO. DOSIN-803-0048 REV A
 DateTime 2018/06/19 CAD FILE D/company drawings/BD SHEET: 1 OF 1