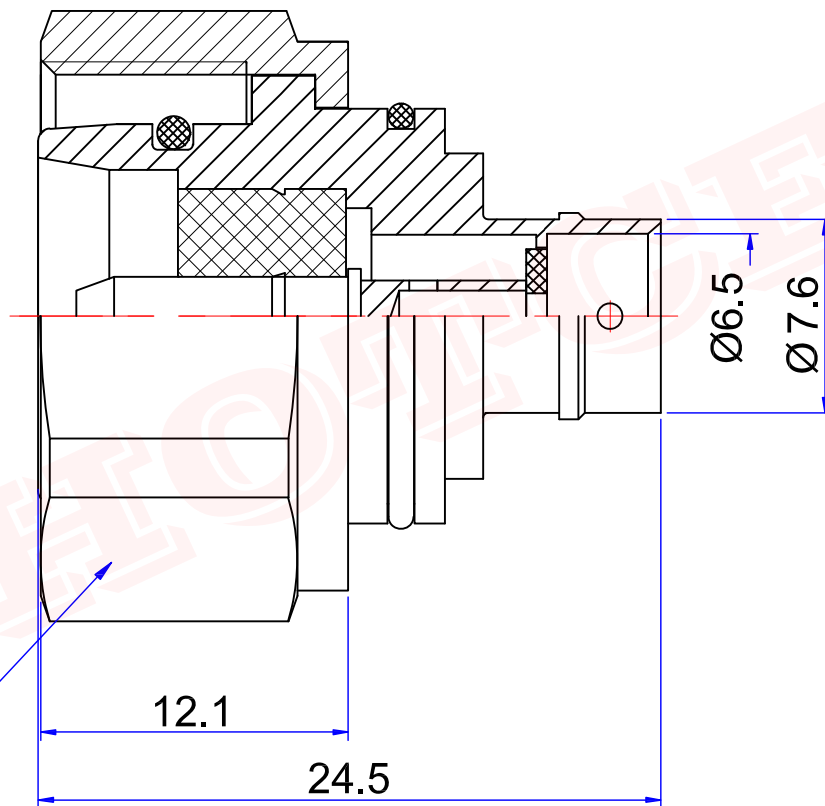




Product NO.		RHT-644-0013		
ISSUE	DESCRIPTION	DWN	DATE	APPROVEN
First	First issue	Gavin	2018/08/21	JIM. KING



Material & Finishing:

1. Center conductor: Brass, Silver Plating
2. Insulators: PTFE
3. Body : Brass, Ternary alloy Plating
4. Other: Brass , Ternary alloy Plating

Electrical Data:

1. Impedance: 50 Ohms
2. Frequency: 0~6GHz
3. VSWR:  $\leq 1.15(0-3\text{GHz})$
4. Proof Voltage : 2500 Veff
5. Contact Resistance:

Center Contact:  $\leq 1.0\text{m}\Omega$   
 Outer Contact :  $\leq 1.0\text{m}\Omega$

-TOLERANCES- UNLESS OTHERWISE SPECIFIED	<b>RENHOTEC GROUP</b>										
	PART DESCRIPTION: 4.3-10 Male For RG401 Cable										
UNLESS OTHERWISE SPECIFIED TOLERANCES FOR MILLIMETERS ARE: 0.5 - 8mm $\pm 0.20\text{mm}$ 8 - 30mm $\pm 0.25\text{mm}$ 30 - 120mm $\pm 0.30\text{mm}$	Appr: JIM. KING	P/N: RHT-644-0013									
	Check:	<table border="1"> <tr> <td>Date</td> <td>Scale</td> <td>Unit</td> <td>Type</td> <td>Page</td> </tr> <tr> <td>2018. 08. 21</td> <td>Free</td> <td>MM</td> <td>Z</td> <td>1/1</td> </tr> </table>	Date	Scale	Unit	Type	Page	2018. 08. 21	Free	MM	Z
Date	Scale	Unit	Type	Page							
2018. 08. 21	Free	MM	Z	1/1							
Draw: Gavin											