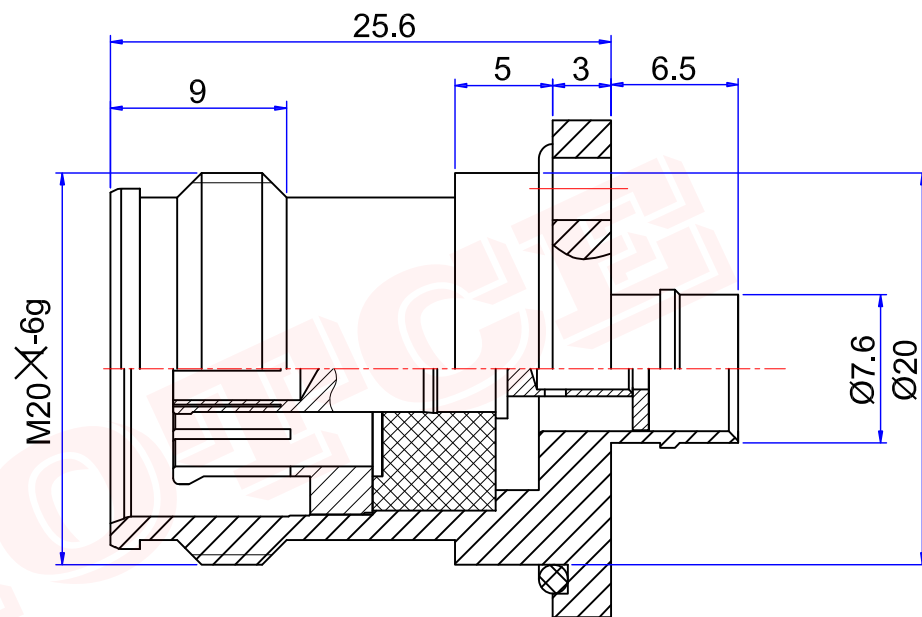
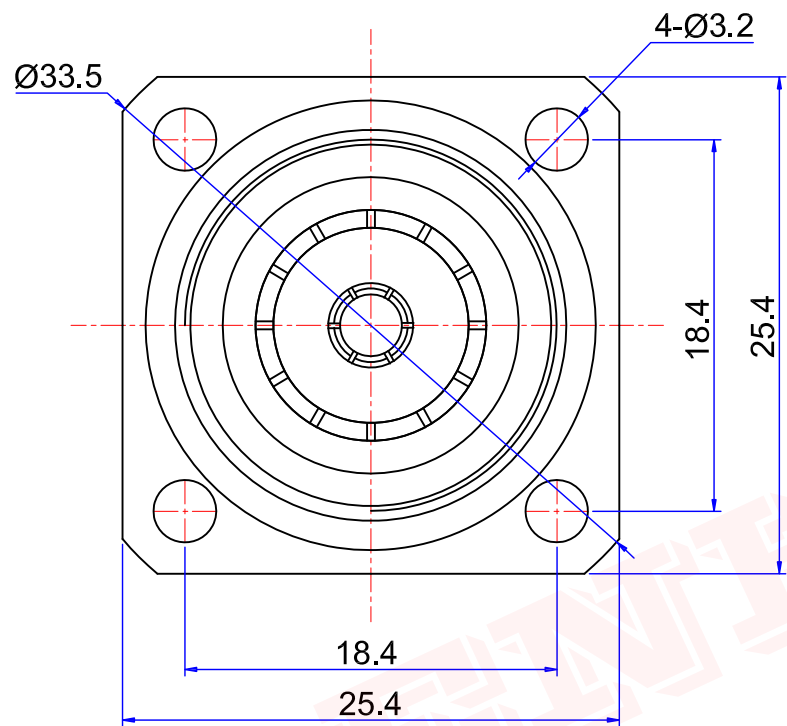




Product NO.		RHT-644-0012			
ISSUE	DESCRIPTION	DWN	DATE	APPROVEN	
First	First issue	Gavin	2018/08/21	JIM. KING	



Material & Finishing:

1. Center conductor: Brass, Silver Plating
2. Insulators: PTFE
3. Body : Brass, Ternary alloy Plating

Electrical Data:

1. Impedance: 50 Ohms
2. Frequency: 0~6GHz
3. VSWR: ≤1.15(0-3GHz)
4. Proof Voltage : 2500 Veff
5. Contact Resistance:
Center Contact: ± 1.0mΩ
Outer Contact : ± 1.0mΩ

-TOLERANCES- UNLESS OTHERWISE SPECIFIED	RENHOTEC GROUP					
	PART DESCRIPTION: 4.3-10 Female For RG401 Cable					
UNLESS OTHERWISE SPECIFIED TOLERANCES FOR MILLIMETERS ARE: 0.5 - 8mm ± 0.20mm 8 - 30mm ± 0.25mm 30 - 120mm ± 0.30mm	Appr: JIM. KING	P/N: RHT-644-0012				
	Check:	Date: 2018.08.21	Scale: Free	Unit: MM	Type: Z	Page: 1/1
Draw:	Gavin	Date: 2018.08.21	Scale: Free	Unit: MM	Type: Z	Page: 1/1