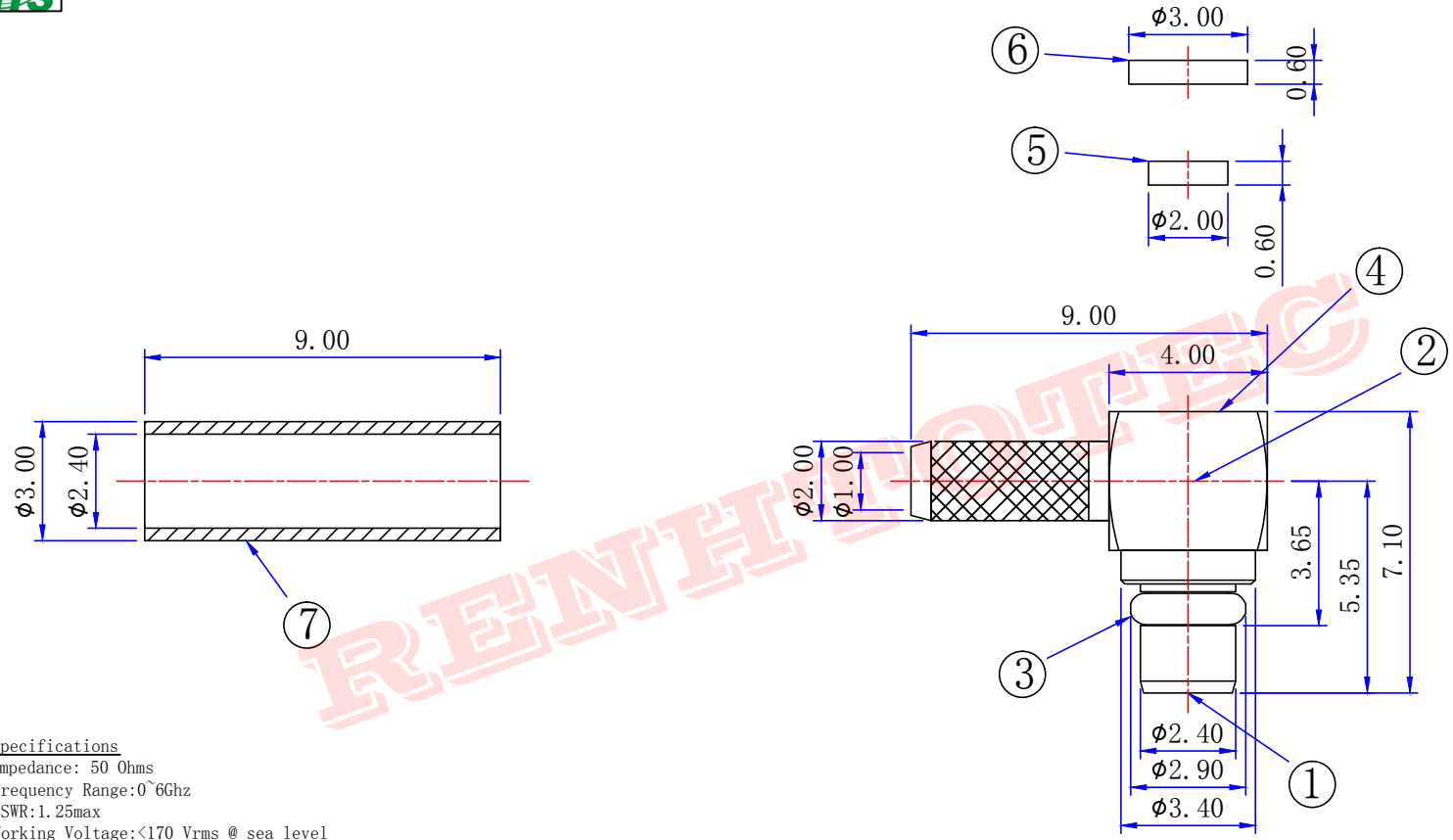




Product NO.		RHT-631-1010		
ISSUE	DESCRIPTION	DWN	DATE	APPROVEN
First	First issue	chen	2018/03/08	JIM.KING



Specifications
 Impedance: 50 Ohms
 Frequency Range: 0~6Ghz
 VSWR: 1.25max
 Working Voltage: <170 Vrms @ sea level
 Insulation Resistance: 5000 Ohms min
 Temperature Range: -65°C TO +155°C
 Drawings products are in line with ROHS standards

NO	DESCRIPTION	MATERIAL	FINISH	QTY
7	FERRULE	BRASS	NICKEL	1
6	COVER	BRASS	GOLD	1
5	INSULATOR	POM	NONE	1
4	BODY	BRASS	GOLD	1
3	LINK LOCK	BRASS	GOLD	1
2	INSULATOR	TEFLON	NONE	1
1	CENILATOR	BRASS	GOLD	1

-TOLERANCES- UNLESS OTHERWISE SPECIFIED UNLESS OTHERWISE SPECIFIED TOLERANCES FOR MILLIMETERS ARE: 0.5 - 8mm ± 0.10mm 8 - 30mm ± 0.15mm 30 -120mm ± 0.20mm	RENHOTEC GROUP www.renhotec.com		PART DESCRIPTION: R/A MMCX PLUG FOR RG178 CABLE			
	Appr: JIM.KING Check: Draw: chen	P/N: RHT-631-1010 Date: 2018.03.08		Scale: Free	Unit: MM	Type: Z Page: 1/1