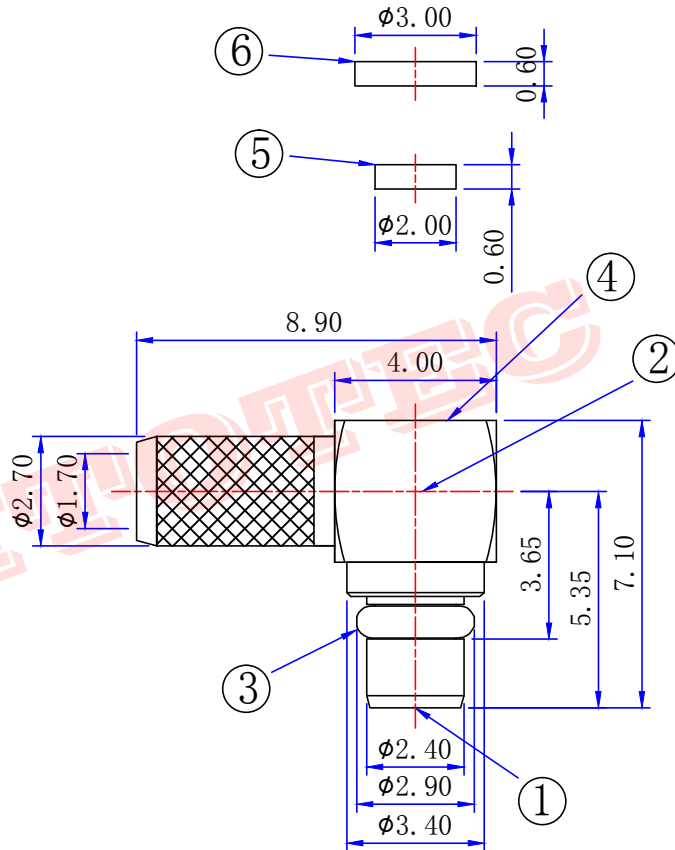
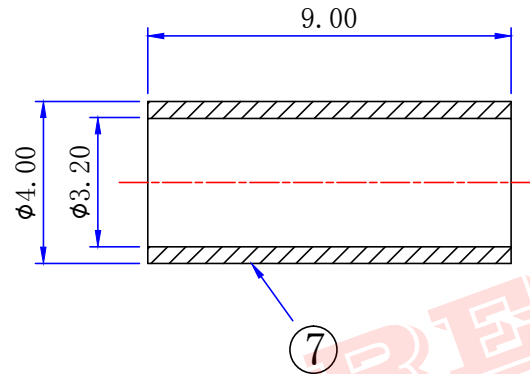




Product NO.		RHT-631-1001		
ISSUE	DESCRIPTION	DWN	DATE	APPROVEN
First	First issue	chen	2017/06/25	JIM. KING



Specifications
 Impedance: 50 Ohms
 Frequency Range: 0~6Ghz
 VSWR: 1.25max
 Working Voltage: <170 Vrms @ sea level
 Insulation Resistance: 5000 Ohms min
 Temperature Range: -65°C TO +155°C
 Drawings products are in line with ROHS standards

NO	DESCRIPTION	MATERIAL	FINISH	QTY
7	FERRULE	BRASS	NICKEL	1
6	COVER	BRASS	GOLD	1
5	INSULATOR	POM	NONE	1
4	BODY	BRASS	GOLD	1
3	LINK LOCK	BRASS	GOLD	1
2	INSULATOR	TEFLON	NONE	1
1	CENILATOR	BRASS	GOLD	1

-TOLERANCES- UNLESS OTHERWISE SPECIFIED UNLESS OTHERWISE SPECIFIED TOLERANCES FOR MILLIMETERS ARE: 0.5 - 8mm ± 0.10mm 8 - 30mm ± 0.15mm 30 - 120mm ± 0.20mm	RENHOTEC GROUP www.renhotec.com		PART DESCRIPTION: R/A MMCX PLUG FOR RG316 CABLE												
	Appr: JIM. KING Check: Draw: chen	P/N: RHT-631-1001 <table border="1"> <tr> <td>Date</td> <td>Scale</td> <td>Unit</td> <td>Type</td> <td>Page</td> </tr> <tr> <td>2017.06.25</td> <td>Free</td> <td>MM</td> <td>Z</td> <td>1/1</td> </tr> </table>					Date	Scale	Unit	Type	Page	2017.06.25	Free	MM	Z
Date	Scale	Unit	Type	Page											
2017.06.25	Free	MM	Z	1/1											