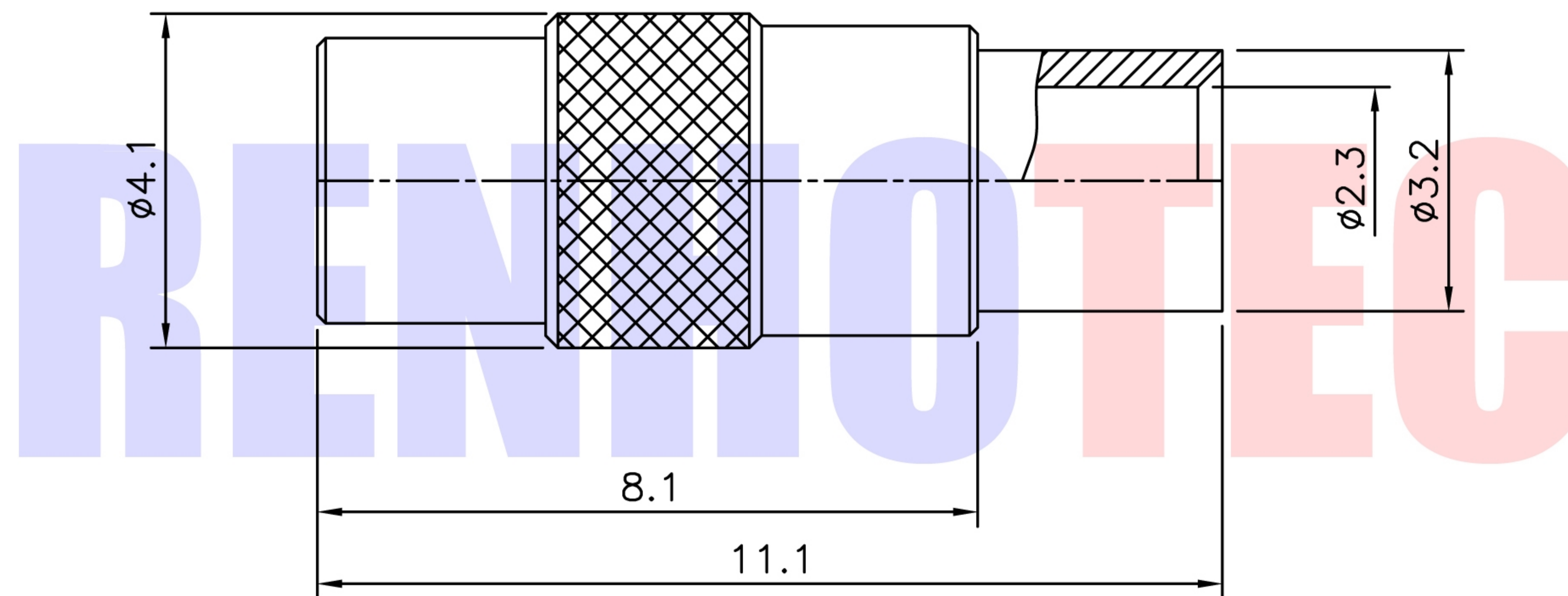




Product NO.	Renhotec-631-0105			
REV	DESCRIPTION	DWN	DATE	APPROVEN
A	First issue	Mr. Wang	2017/2/24	John kine



Item	Materials	Plating
Body	Brass	Gold Plated
Center contact	Be-Cu	Gold Plated
Insulator	PTFE	-

NOTE :		Tolerance	0-6	±0.10
DRAWN Zelin. Zhang			6-30	±0.20
2017/2/24		View	30-120	±0.30
CHECKED			Angular	±2°
APPROVALS <i>John Kine</i>		UNIT	MM	
2017/2/24		SCALE	1:1	



RENHOTECH GROUP

Name: MMCX Straight Jack for Cable-UT085

SIZE A	Product NO. RHT-631-0105	REV B
DateTime 2017/2/24	CAD FILE D/company drawings/BD	SHEET: 1 OF 1