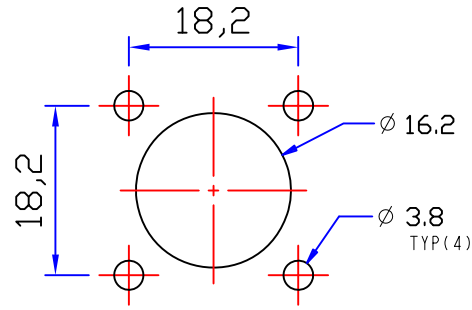
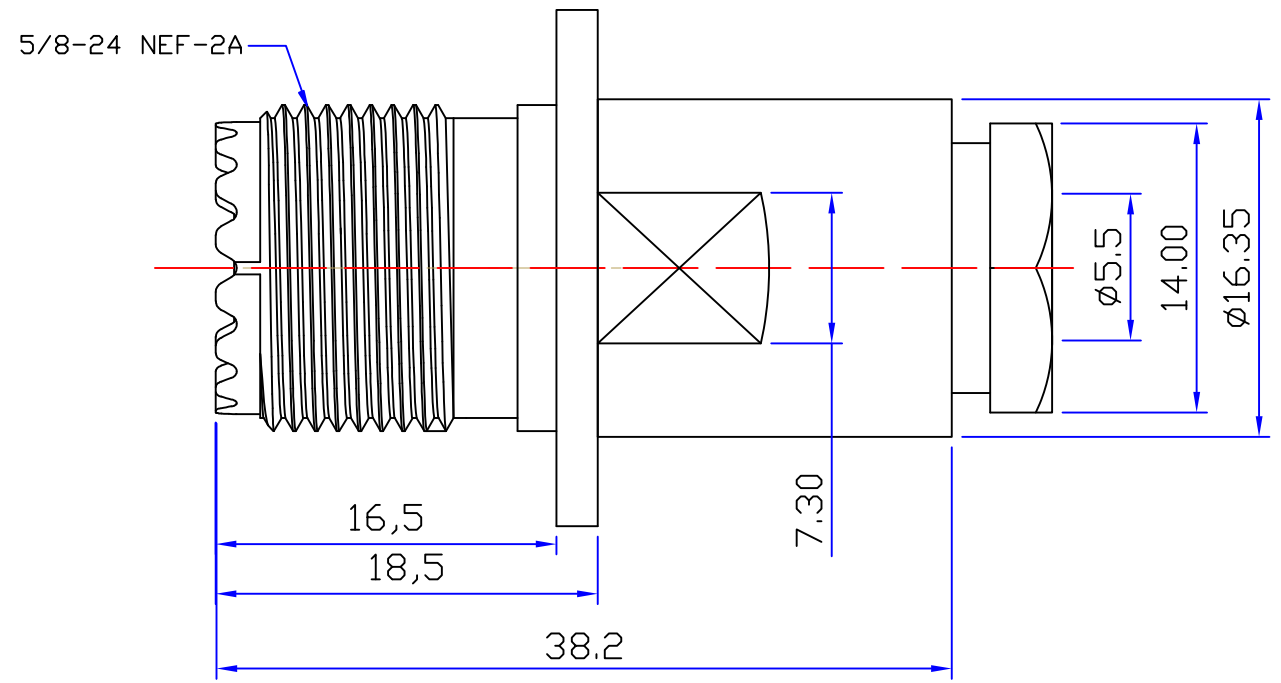
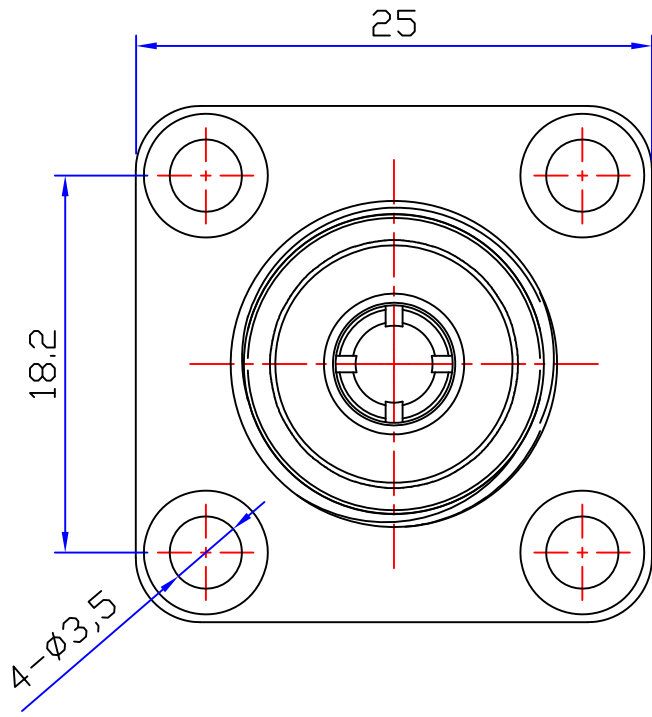




Product NO.		RHT-630-0120			
REV	DESCRIPTION	DWN	DATE	APPROVEN	
A	First issue	Gavin	2018/03/12	JIM.KING	



RECOMMENDED MOUNTING HOLE DIMENSIONS



NO	DESCRIPTION	MATERIAL	FINISH	QTY
3	PIN	BRASS	SN	1
2	DIELECTRIC	TEFLON	NONE	1
1	BODY	BRASS	Black chromium	1

-TOLERANCES- UNLESS OTHERWISE SPECIFIED UNLESS OTHERWISE SPECIFIED TOLERANCES FOR MILLIMETERS ARE: 0.5 - 8mm ± 0.20mm 8 - 30mm ± 0.40mm 30 -120mm ± 0.50mm	RENHOTECH www.renholec.com		RENHOTECH GROUP			
	Appd: JIM.KING		PART DESCRIPTION: UHF KF27			
Check:	Date	Scale	Unit	Type	Page	
Draw: Gavin	2018/03/12	Free	MM	Z	1/1	

A

B

C

D

E

A

B

C

D

E

1

2

3

4

5

6

1

2

3

4

5

6