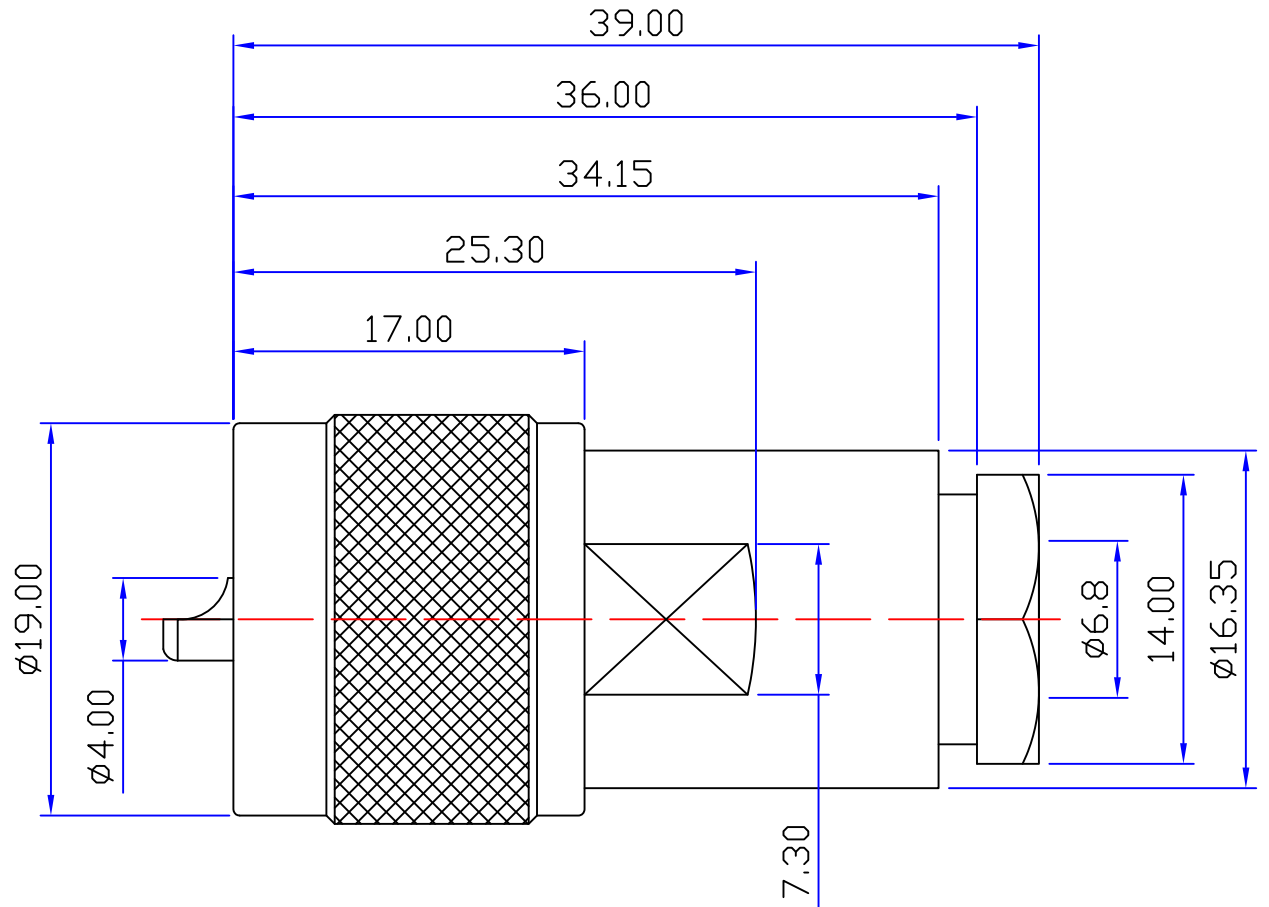
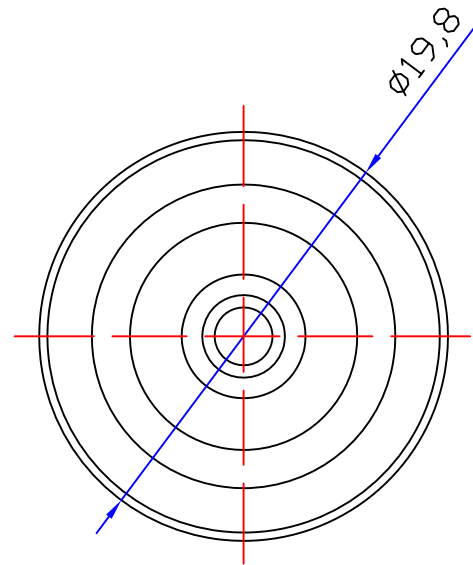




Product NO.		RHT-630-0112			
REV	DESCRIPTION	DWN	DATE	APPROVEN	
A	First issue	Gavin	2018/03/12	JIM. KING	



NO	DESCRIPTION	MATERIAL	FINISH	QTY
3	PIN	BRASS	GOLD	1
2	DIELECTRIC	TEFLON	NONE	1
1	BODY	BRASS	Black chromium	1

-TOLERANCES- UNLESS OTHERWISE SPECIFIED UNLESS OTHERWISE SPECIFIED TOLERANCES FOR MILLIMETERS ARE: 0.5 - 8mm \pm 0.20mm 8 - 30mm \pm 0.40mm 30 -120mm \pm 0.50mm	RENHOTEC GROUP www.renholec.com		PART DESCRIPTION: UHF PLUG FOR RG59 CABLE			
	Appd: JIM. KING Check: Draw: Gavin		P/N: RHT-630-0112 Date: 2018/03/12	Scale: Free	Unit: MM	Type: Z Page: 1/1