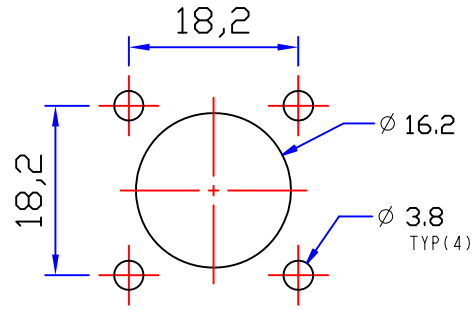
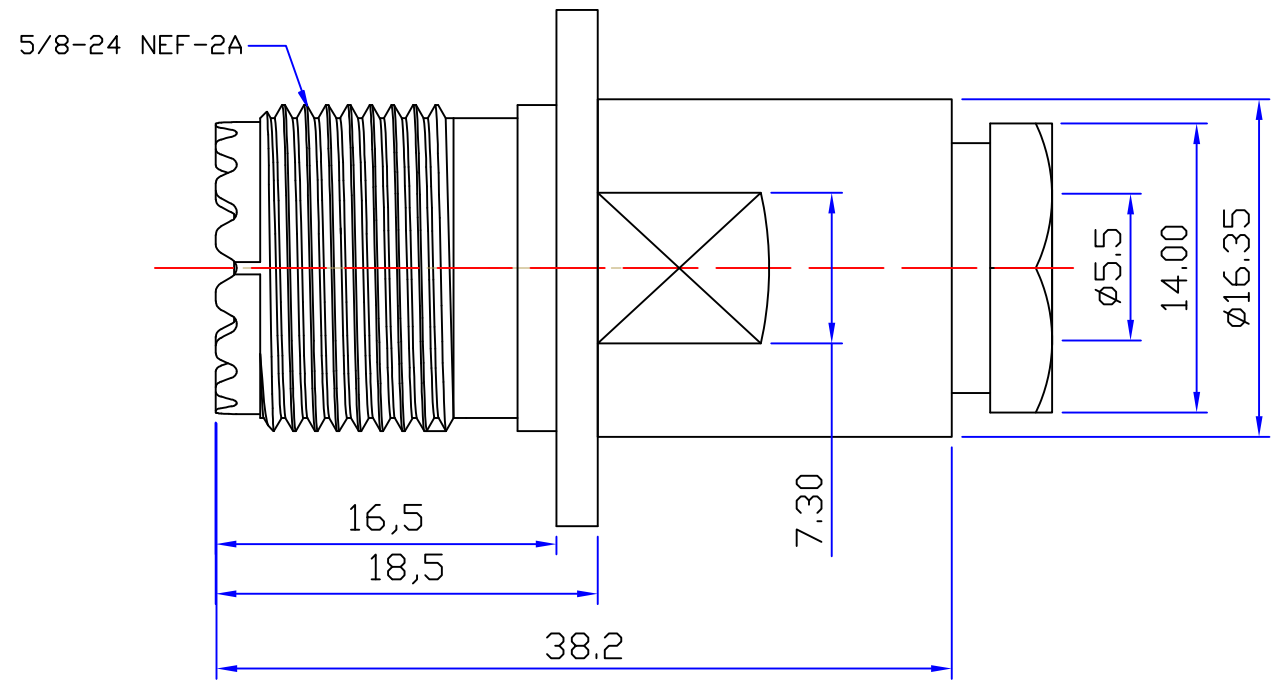
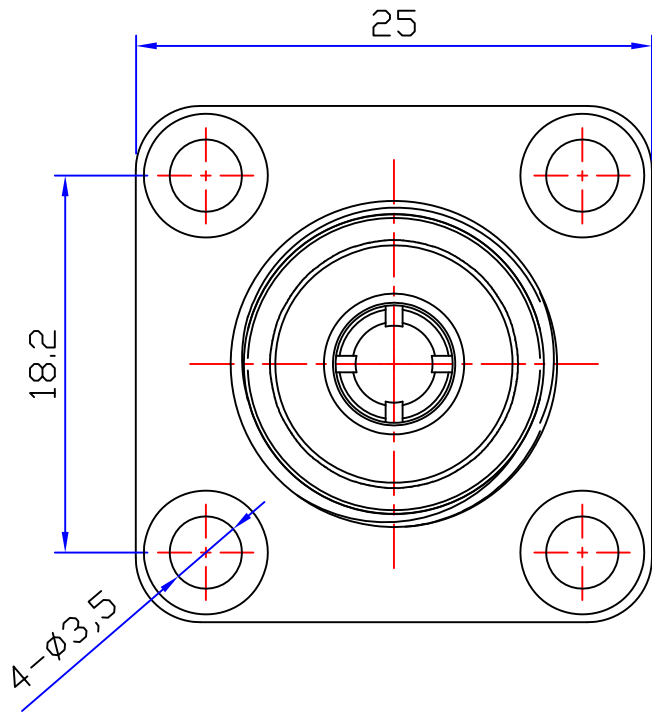




|             |             |              |            |          |  |
|-------------|-------------|--------------|------------|----------|--|
| Product NO. |             | RHT-630-0106 |            |          |  |
| REV         | DESCRIPTION | DWN          | DATE       | APPROVEN |  |
| A           | First issue | Gavin        | 2018/03/12 | JIM.KING |  |



**RECOMMENDED MOUNTING HOLE DIMENSIONS**



| NO | DESCRIPTION | MATERIAL | FINISH         | QTY |
|----|-------------|----------|----------------|-----|
| 3  | PIN         | BRASS    | SN             | 1   |
| 2  | DIELECTRIC  | TEFLON   | NONE           | 1   |
| 1  | BODY        | BRASS    | Black chromium | 1   |

|   |                                      |       |   |      |      |  |
|---|--------------------------------------|-------|---|------|------|--|
| -TOLERANCES-<br>UNLESS OTHERWISE<br>SPECIFIED<br><br>UNLESS OTHERWISE SPECIFIED<br>TOLERANCES FOR MILLIMETERS ARE:<br>0.5 - 8mm ± 0.20mm<br>8 - 30mm ± 0.40mm<br>30 -120mm ± 0.50mm | <b>RENHOTECH</b><br>www.renhotec.com |       | <b>RENHOTECH GROUP</b>                        |      |      |  |
|   | Appd: JIM.KING                       |       | PART DESCRIPTION:<br>UHF JACK FOR RG142 CABLE |      |      |  |
| Check:  | Date                                 | Scale | Unit  | Type | Page |  |
| Draw: Gavin   | 2018/03/12                           | Free  | MM  | Z    | 1/1  |  |

A

A

B

B

C

C

D

D

E

E