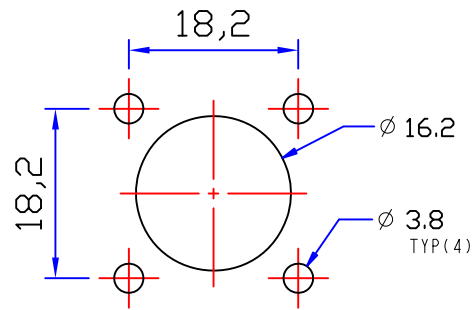
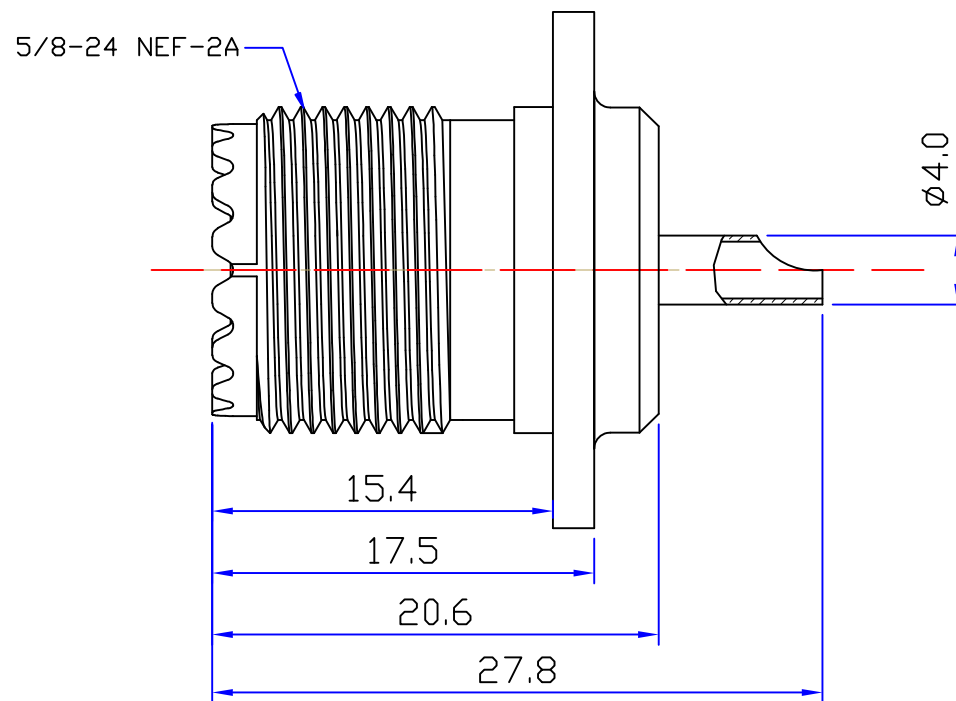
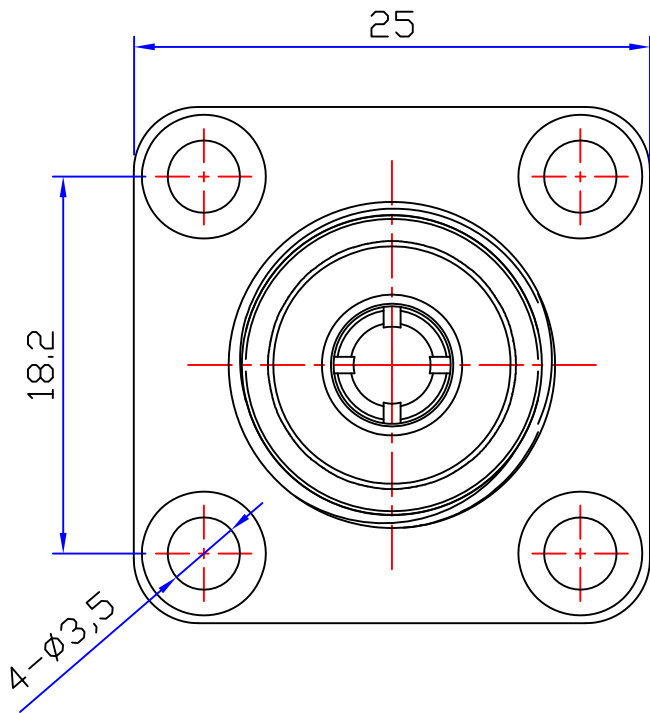




Product NO.		RHT-630-0069			
REV	DESCRIPTION	DWN	DATE	APPROVEN	
A	First issue	Gavin	2018/03/12	JIM. KING	



RECOMMENDED MOUNTING HOLE DIMENSIONS



NO	DESCRIPTION	MATERIAL	FINISH	QTY
3	PIN	BRASS	SN	1
2	DIELECTRIC	TEFLON	NONE	1
1	BODY	BRASS	Black chromium	1

-TOLERANCES- UNLESS OTHERWISE SPECIFIED UNLESS OTHERWISE SPECIFIED TOLERANCES FOR MILLIMETERS ARE: 0.5 - 8mm ± 0.20mm 8 - 30mm ± 0.40mm 30 -120mm ± 0.50mm	RENHOTEC GROUP www.renholec.com		PART DESCRIPTION: UHF-KY			
	Appd: JIM. KING Check: Gavin Draw: Gavin	P/N: RHT-630-0069 Date: 2018/03/12	Scale: Free	Unit: MM	Type: Z	Page: 1/1