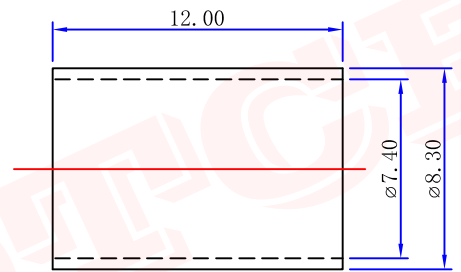
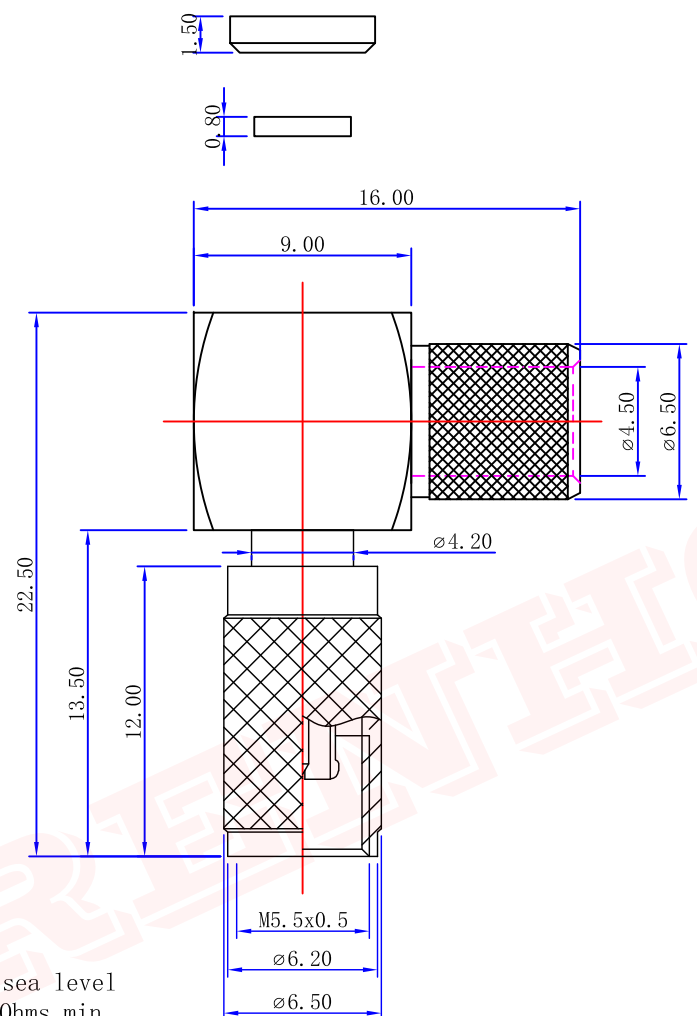




Product NO.		RHT-618-0720		
ISSUE	DESCRIPTION	DWN	DATE	APPROVEN
A	First issue	Gavin	2018/11/17	JIM. KING
B	R/A 1.0-2.3 Plug	Gavin	2019/06/13	JIM. KING



Specifications:
 IMPEDANCE: 75 Ohms
 Frequency range: 0~6GHZ
 VSWR: 1.5MAX
 Working voltage: 500V rms @ sea level
 Insulation resistance: 5000 Ohms min
 Temperature range: -65°C TO +165°C
 Relative temperature: ≤95% (40° C ± 2° C)

NO	DESCRIPTION	MATERIAL	FINISH	QTY
5	CAP	BRASS	NICKEL	1
4	GLUE CUSHION	POM	WHITE	1
3	PIN	BRASS	GOLD	1
2	INSULATOR	PTFE	NONE	1
1	BODY	BRASS	GOLD	1

-TOLERANCES- UNLESS OTHERWISE SPECIFIED	RENHOTEC GROUP www.renhotec.com	
	PART DESCRIPTION: R/A 1.0-2.3 Plug Custom Cable	
UNLESS OTHERWISE SPECIFIED TOLERANCES FOR MILLIMETERS ARE: 0.5 - 8mm ± 0.15mm 8 - 30mm ± 0.20mm 30 - 120mm ± 0.30mm	Appr: JIM. KING	P/N: RHT-618-0720
	Check:	Date: 2019.06.13
	Draw: Gavin	Scale: Free Unit: MM Type: Z Page: 1/1