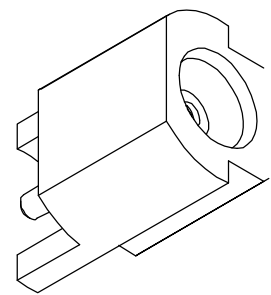
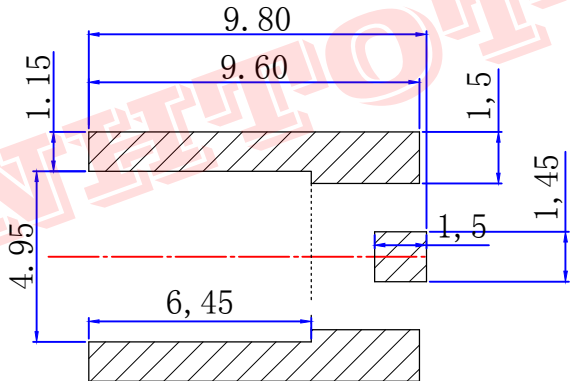
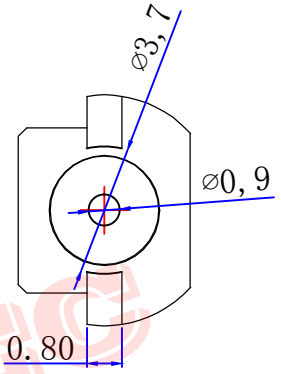
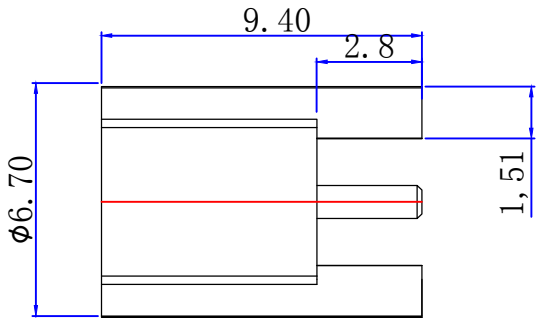
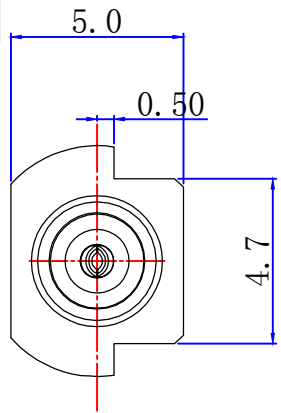




Product NO.	RHT-617-0125			
REV	DESCRIPTION	DWN	DATE	APPROVEN
A	First issue	Mr. CHEN	2016/9/03	John kine



Specifications

Impedance: 50 Ohms
 Frequency Range: 0~6Ghz
 VSWR: 1.25max
 Working Voltage: <170 V rms @ sea level
 Insulation Resistance: 5000 Ohms min
 Temperature Range: -65°C TO +165°C
 Drawings products are in line with ROHS standards

PCB

1	Body	Brass	GOLD	1	NOTE:	Tolerance	0-6	±0.10	RENHOTEC GROUP www.renhotec.com		
2	Insulation	Teflon	White	1			6-30	±0.20			
3	Pin	Copper	GOLD	1			30-120	±0.30			
4							Angular	±2°			
5					DRAWN	2016/09/	View		Name: MCX JACK EDGE MOUNT PCB RECEPTACLE		
6					Zelin. CHEN	03					
7					CHECKED						
8					APPROVALS	03/09.2016	UNIT	MM	SIZE	Product NO. RHT-617-0125	REV
9											
10	Component Number	Material	Finish	QTY	APPROVALS	03/09.2016	SCALE	1:1	DateTime	CAD FILE	SHEET: 1 OF 1
	1	2			Kine	3			2016/9/03	D/company drawings/BD	