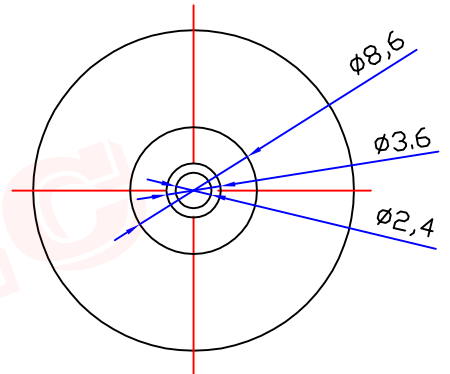
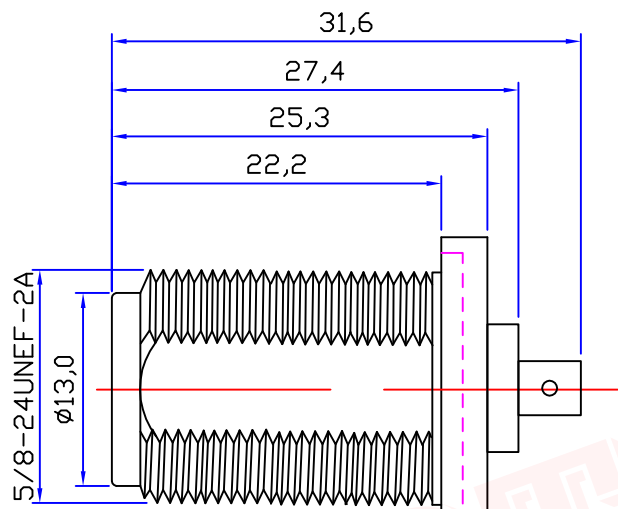
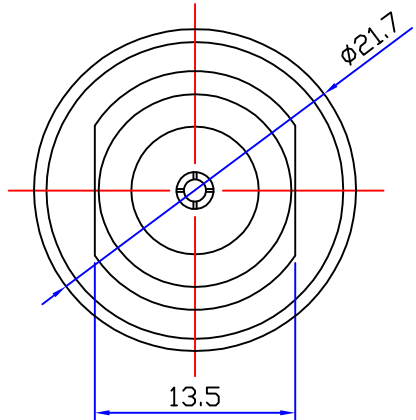
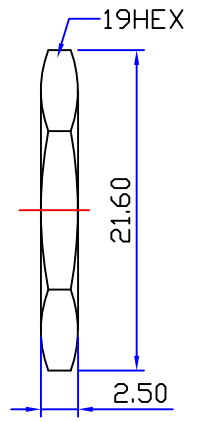
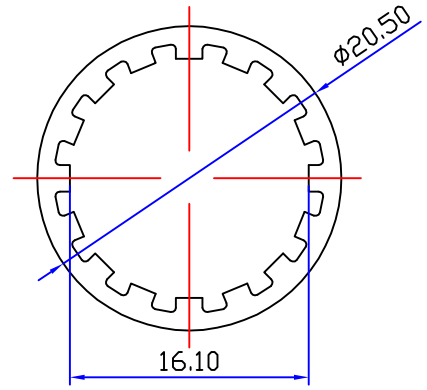
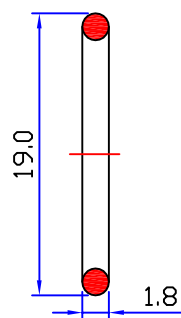




Product NO.		RHT-614-0244		
REV	DESCRIPTION	DWN	DATE	APPROVEN
A	First issue	Gavin	2018/03/12	JIM.KING



**Specifications**  
 Impedance: 50 Ohms  
 Frequency Range:0-11G  
 VSWR:1.3MAX  
 Working Voltage:1000 VRMS (max at sea level)  
 Dielectric Withstanding Voltage:1500 vrms(max at sea level)  
 Insulation Resistance:5000 Ohms min  
 Durability Mating:500 Cycles min  
 Temperature Range:-65°C TO +165°C



NO	DESCRIPTION	MATERIAL	FINISH	QTY
6	NUT	BRASS	NICKEL	1
5	GASKET	BRASS	NICKEL	1
4	O-RING	EPDM	RED	1
3	PIN	BRASS	GOLD	1
2	INSUKATON	TEFLON	WHITE	1
1	BODY	BRASS	NICKEL	1

-TOLERANCES- UNLESS OTHERWISE SPECIFIED  UNLESS OTHERWISE SPECIFIED TOLERANCES FOR MILLIMETERS ARE: 0.5 - 8mm ± 0.20mm 8 - 30mm ± 0.40mm 30 -120mm ± 0.50mm	 <a href="http://www.renhotec.com">www.renhotec.com</a>	<b>RENHOTEC GROUP</b>			
	PART DESCRIPTION: N JACK CONNECTORS				
Appd: JIM.KING	P/N: RHT-614-0244				
Check:	Date	Scale	Unit	Type	Page
Draw: Gavin	2018/03/12	Free	MM	Z	1/1