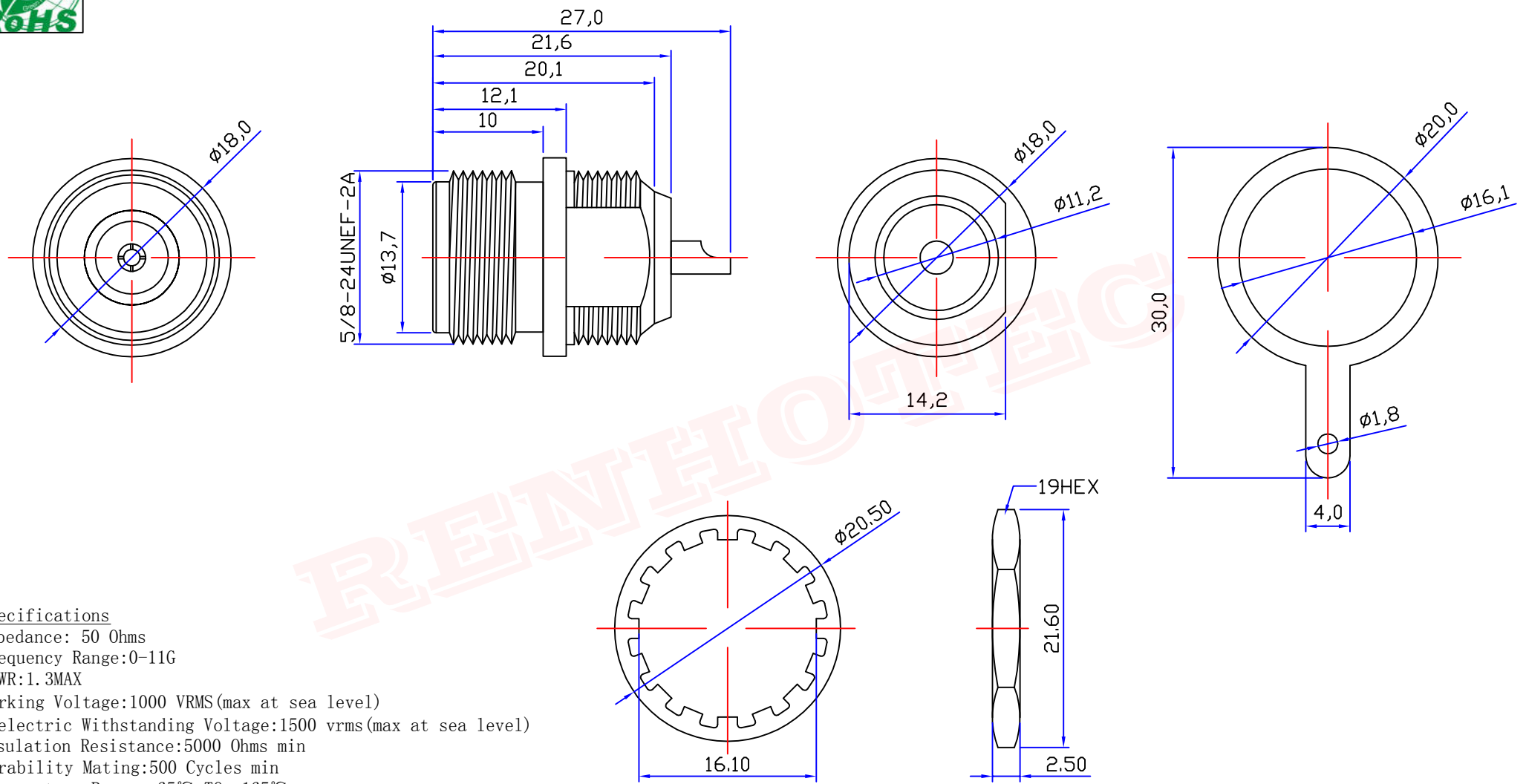
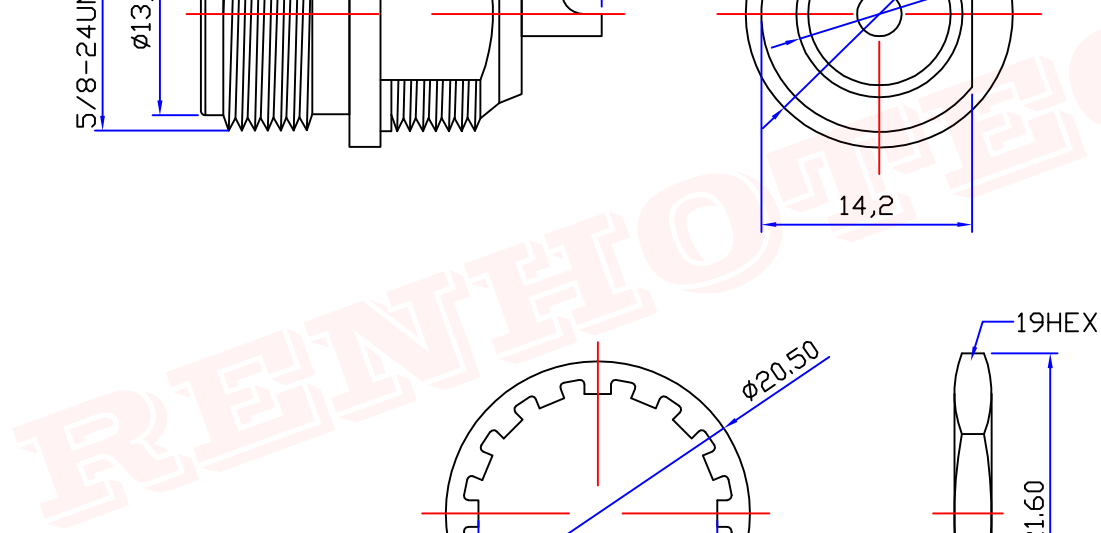




Product NO.		RHT-614-0243		
REV	DESCRIPTION	DWN	DATE	APPROVEN
A	First issue	Gavin	2018/03/12	JIM.KING



Specifications
 Impedance: 50 Ohms
 Frequency Range: 0-11G
 VSWR: 1.3MAX
 Working Voltage: 1000 VRMS (max at sea level)
 Dielectric Withstanding Voltage: 1500 vrms (max at sea level)
 Insulation Resistance: 5000 Ohms min
 Durability Mating: 500 Cycles min
 Temperature Range: -65°C TO +165°C



NO	DESCRIPTION	MATERIAL	FINISH	QTY
6	NUT	BRASS	NICKEL	1
5	GASKET	BRASS	NICKEL	1
4	GASKET	BRASS	NICKEL	
3	PIN	BRASS	GOLD	1
2	INSUKATON	TEFLON	WHITE	1
1	BODY	BRASS	NICKEL	1

-TOLERANCES- UNLESS OTHERWISE SPECIFIED	RENHOTEC GROUP www.renhotec.com		PART DESCRIPTION: N JACK CONNECTORS				
	Appd: JIM.KING Check:		P/N: RHT-614-0243 Date Scale Unit Type Page				
UNLESS OTHERWISE SPECIFIED TOLERANCES FOR MILLIMETERS ARE: 0.5 - 8mm \pm 0.20mm 8 - 30mm \pm 0.40mm 30 - 120mm \pm 0.50mm	Draw: Gavin		2018/03/12	Free	MM	Z	1/1