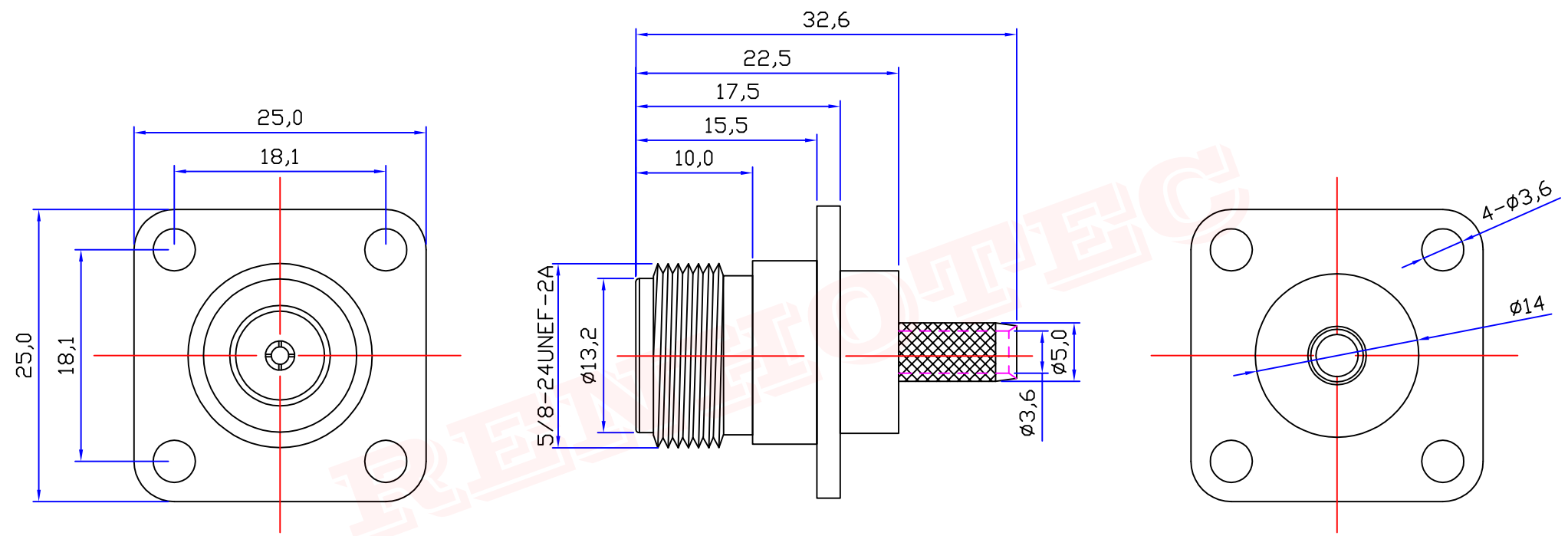




Product NO.		RHT-614-0232			
REV	DESCRIPTION	DWN	DATE	APPROVEN	
A	First issue	Gavin	2018/03/12	JIM.KING	



Specifications

Impedance: 50 Ohms
 Frequency Range:0-11G
 VSWR:1.3MAX
 Working Voltage:1000 VRMS(max at sea level)
 Dielectric Withstanding Voltage:1500 vrms(max at sea level)
 Insulation Resistance:5000 Ohms min
 Durability Mating:500 Cycles min
 Temperature Range:-65°C TO +165°C

3	PIN	BRASS	GOLD	1
2	INSUKATON	TEFLON	WHITE	1
1	BODY	BRASS	NICKEL	1
NO	DESCRIPTION	MATERIAL	FINISH	QTY

-TOLERANCES- UNLESS OTHERWISE SPECIFIED UNLESS OTHERWISE SPECIFIED TOLERANCES FOR MILLIMETERS ARE: 0.5 - 8mm ± 0.20mm 8 - 30mm ± 0.40mm 30 -120mm ± 0.50mm	RENHOTEC GROUP www.renhotec.com		PART DESCRIPTION: N JACK FOE RG58 CABLE			
	Appd: JIM.KING Check: Draw: Gavin	P/N: RHT-614-0232 Date: 2018/03/12	Scale: Free	Unit: MM	Type: Z	Page: 1/1