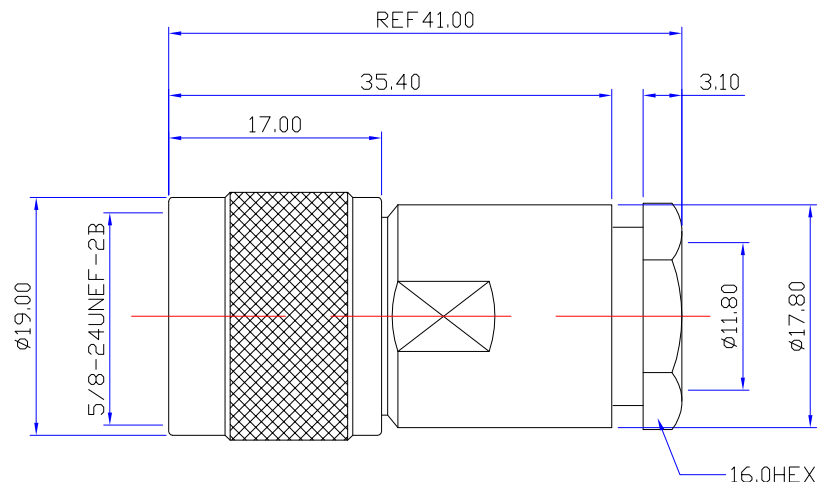
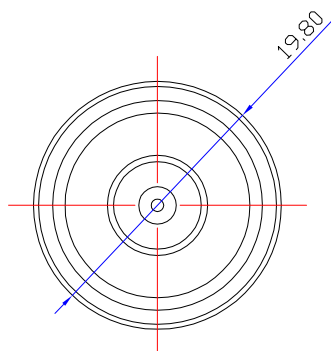




Product NO.		RHT-614-0211		
REV	DESCRIPTION	DWN	DATE	APPROVEN
A	First issue	Gavin	2018/03/12	JIM.KING



**Specifications**

Impedance: 50 Ohms

Frequency Range:0-6G

VSWR:1.5MAX

Working Voltage:1000 VRMS(max at sea level)

Dielectric Withstanding Voltage:1500 vrms(max at sea level)

Insulation Resistance:5000 MOhms min

Durability Mating:500 Cycles min

Temperature Range:-65°C TO +165°C

3	PIN	BRASS	GOLD	1
2	INSUKATON	PTFE	RED	1
1	BODY	BRASS	NICKEL	1
NO	DESCRIPTION	MATERIAL	FINISH	QTY

-TOLERANCES- UNLESS OTHERWISE SPECIFIED  UNLESS OTHERWISE SPECIFIED TOLERANCES FOR MILLIMETERS ARE: 0.5 - 8mm ± 0.20mm 8 - 30mm ± 0.40mm 30 -120mm ± 0.50mm	<b>RENHOTEC GROUP</b> <a href="http://www.renhotec.com">www.renhotec.com</a>		PART DESCRIPTION: N PLUG FOR RG9/RG213 CABLE			
	Appd: JIM.KING Check: Draw: Gavin	P/N: RHT-614-0211 Date: 2018/03/12		Scale: Free	Unit: MM	Type: Z Page: 1/1