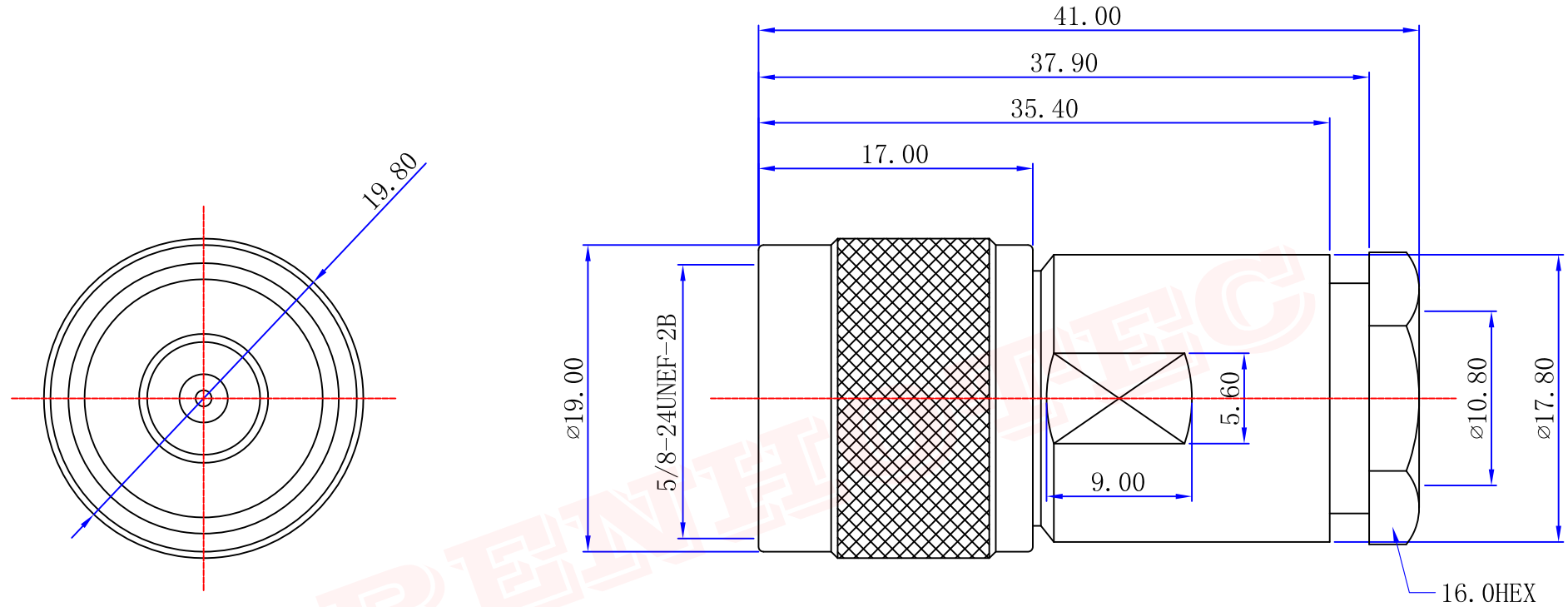




Product NO.		RHT-614-0197		
REV	DESCRIPTION	DWN	DATE	APPROVEN
A	First issue	Gavin	2018/03/12	JIM. KING
B	First issue	Gavin	2019/05/15	JIM. KING



Specifications

Impedance: 50 Ohms
 Frequency Range: 0-6G
 VSWR: 1.5MAX
 Working Voltage: 1000 VRMS (max at sea level)
 Dielectric Withstanding Voltage: 1500 vrms (max at sea level)
 Insulation Resistance: 5000 Ohms min
 Durability Mating: 500 Cycles min
 Temperature Range: -65°C TO +165°C

3	PIN	BRASS	GOLD	1
2	INSULATOR	PTED	WHITE	1
1	BOOY	BRASS	NICKEL	1
NO	DESCRIPTION	MATERIAL	FINISH	QTY

-TOLERANCES- UNLESS OTHERWISE SPECIFIED		RENHOTEC GROUP			
UNLESS OTHERWISE SPECIFIED TOLERANCES FOR MILLIMETERS ARE: 0.5 - 8mm ± 0.20mm 8 - 30mm ± 0.25mm 30 - 120mm ± 0.30mm		PART DESCRIPTION: N PLUG FOR LMR400/RG8 CABLE P/N: RHT-614-0197			
Appd: JIM. KING	Check:	Date	Scale	Unit	Type
Draw: Gavin		2019. 05. 15	Free	MM	Z
					Page
					1/1