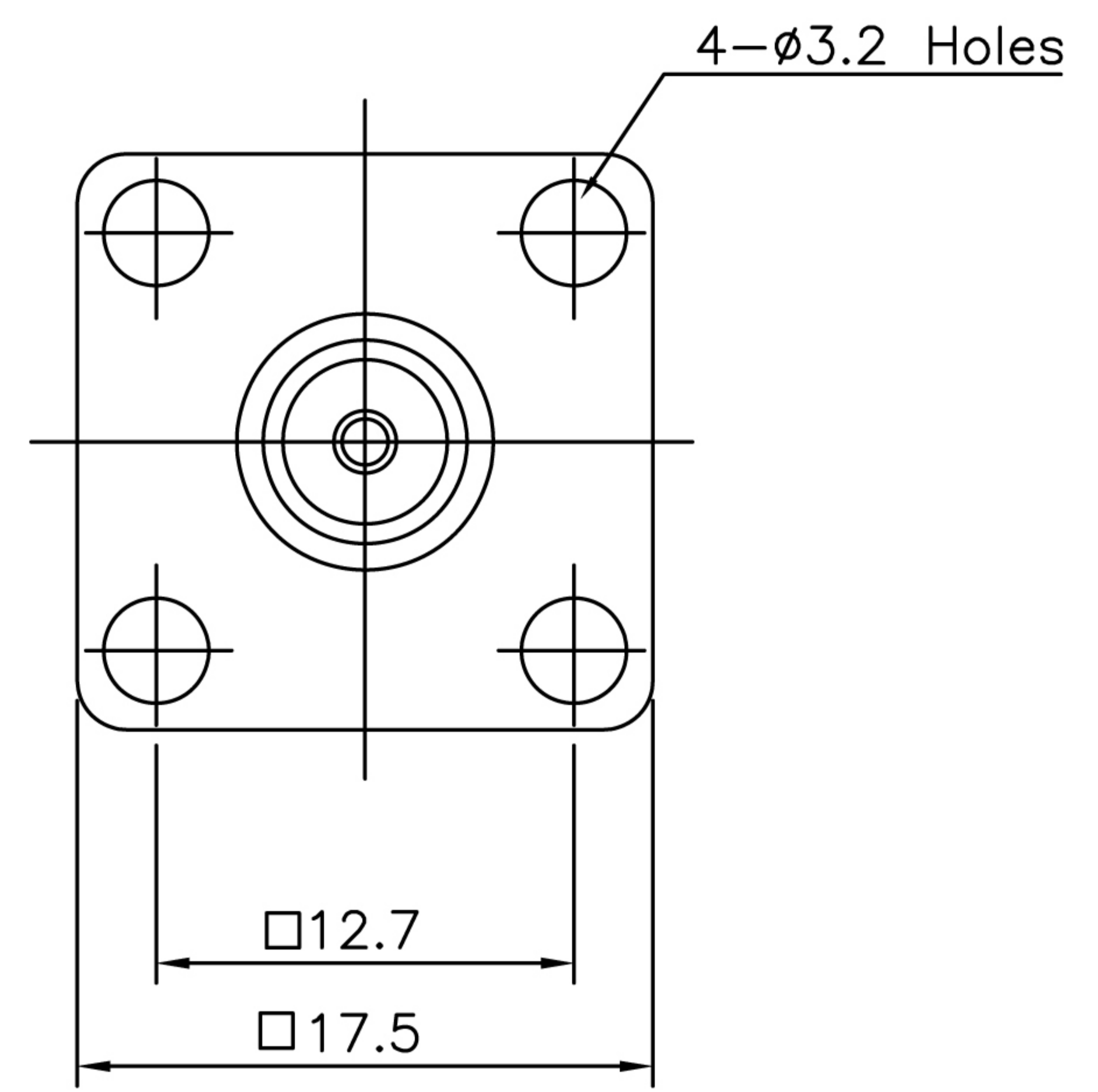
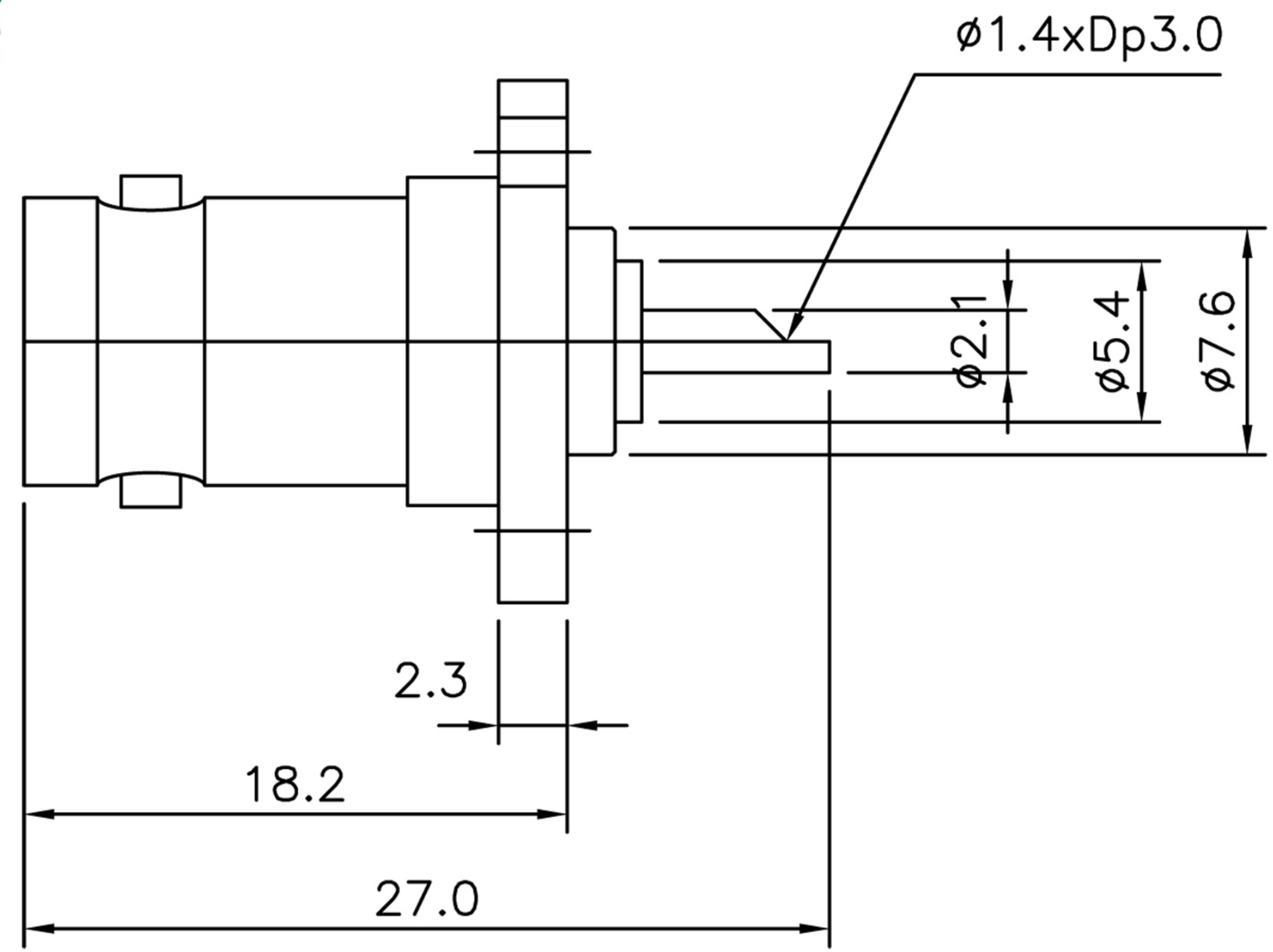




Product NO.	Renhotec-610-0222			
REV	DESCRIPTION	DWN	DATE	APPROVEN
A	First issue	Mr. Wang	2017/2/23	John kine



Item	Materials	Plating
Body	Brass	Nickel Plated
Center contact	Be-Cu	Gold Plated
Insulator	PTFE	-

NOTE:		Tolerance	0-6 ±0.10
			6-30 ±0.20
			30-120 ±0.30
			Angular ±2°
DRAWN	Zelin. Zhang	2017/2/23	View
CHECKED			
APPROVALS		2017/2/23	UNIT
John Kine			
SCALE		1:1	



RENHOTEC GROUP

Name: BNC Panel 4 Holes Jack Recptacle for Solder Pot

SIZE A	Product NO. RHT-610-0222	REV B
--------	--------------------------	-------

DateTime 2017/2/23	CAD FILE D/company drawings/BD	SHEET: 1 OF 1
--------------------	--------------------------------	---------------