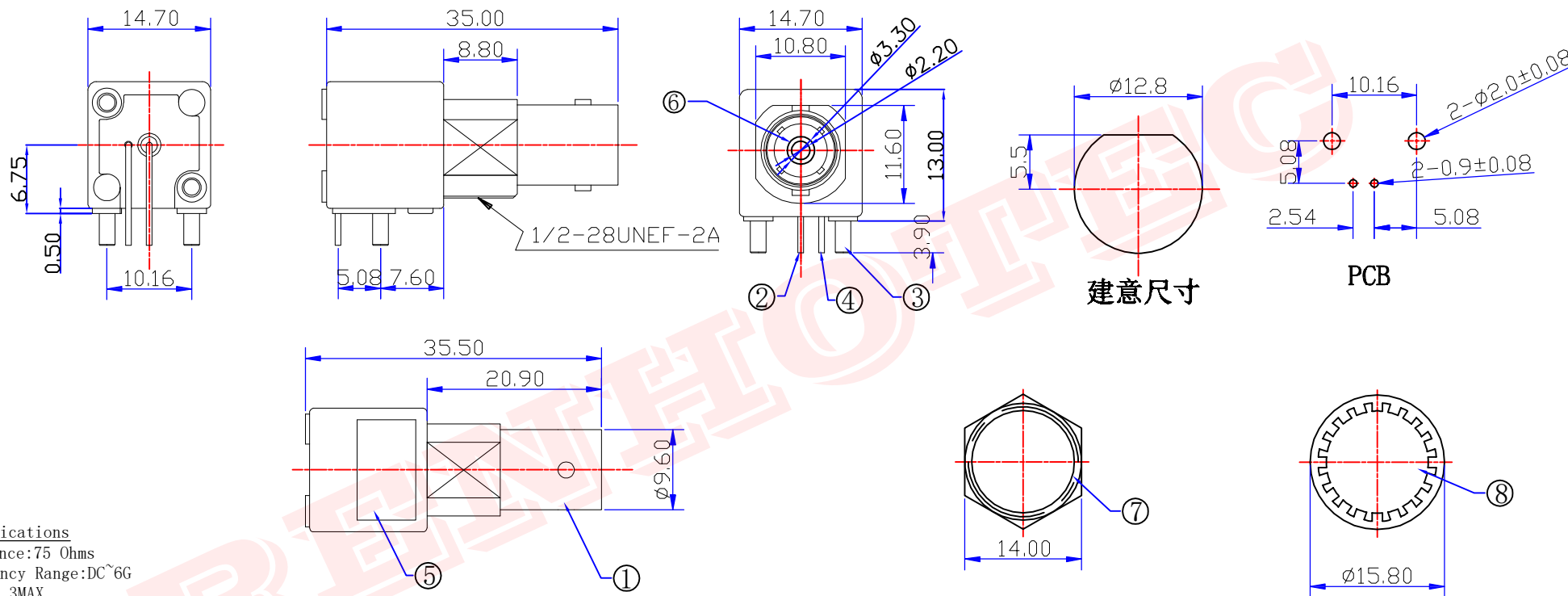




Product NO.

RHT-610-0035

REV	DESCRIPTION	DWN	DATE	APPROVEN
A	First issue	Mr. Wang	2016/03/05	JIM. KING
B	First issue	Gavin	2019/08/01	JIM. KING



**Specifications**

Impedance: 75 Ohms  
 Frequency Range: DC~6G  
 VSWR: 1.3MAX  
 Working Voltage: 500V rms @ sea level  
 Insulation Resistance: 5000 Ohms min  
 Temperature Range: -55°C TO +155°C  
 Relative Humidity:  $\leq 95\%$  (40°C  $\pm 2^\circ$  C)  
 Drawings products are in line with ROHS standards

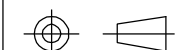
NO	DESCRIPTION	MATERIAL	FINISH	QTY
8	WH-00002-NI-0	Brass	NI: 80-120u"	1
7	NU-00002-NI-0	Brass	NI: 80-120u"	1
6	IN-00010-0	Pom	White	1
5	IN-00008/09-0	Pom	White	1
4	TR-00002-SN-0	Brass	SN	1
3	TR-00007-SN-0	Iron	SN	2
2	PN-00008-CL3-0	Phosphor	AU: 3u"	1
1	BY-00005/06-NY-0	ZINC	NI: 80-120u"	1

-TOLERANCES-  
UNLESS OTHERWISE  
SPECIFIED



**RENHOTEC GROUP**

UNLESS OTHERWISE SPECIFIED  
TOLERANCES FOR MILLIMETERS ARE:  
 0.5 - 8mm  $\pm 0.20$ mm  
 8 - 30mm  $\pm 0.25$ mm  
 30 - 120mm  $\pm 0.30$ mm



PART DESCRIPTION:  
RHT-610-0035

Appd: JIM. KING

P/N: BNC Jack 90° PCB Mount

Check:

Date	Scale	Unit	Type	Page
2019.08.01	Free	MM	Z	1/1

Draw: Gavin