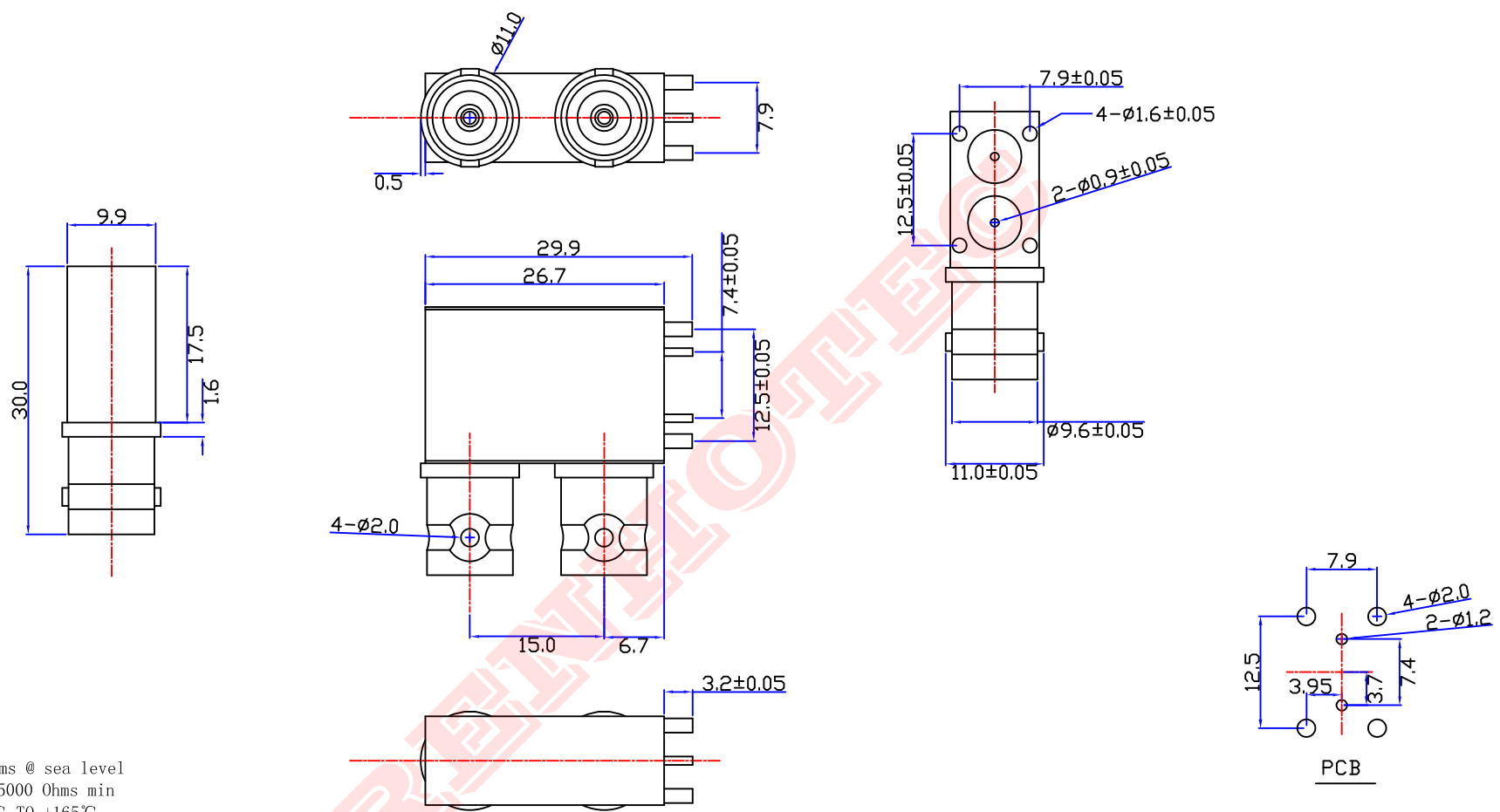




Product NO.	Renhotec-610-0098			
REV	DESCRIPTION	DWN	DATE	APPROVEN
A	First issue	Mr. chen	2016/5/19	John kine



### Specifications

Impedance:75 Ohms  
 Frequency Range:DC~3G  
 VSWR:1.3MAX  
 Working Voltage:500V rms @ sea level  
 Insulation Resistance:5000 Ohms min  
 Temperature Range:-65°C TO +165°C  
 Relative Temperature:≤95%(40° C±2° C)  
 Drawings products are in line with ROHS standards

NOTE:

Tolerance

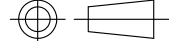
0-6 ±0.10  
 6-30 ±0.20  
 30-120 ±0.30  
 Angular ±2°



**RENHOTEC GROUP**

DRAWN  
 Zelin.CHEN  
 2016/05/19  
 CHECKED

View



Name: BNC JACK CONNECTOR

APPROVALS  
 John  
 19/05.2016  
 Kine

SCALE

1:1

DateTime  
2016/5/19

CAD FILE  
 D/company drawings/BD

SIZE A Product NO. RENHOTEC-610-0098

SHEET: 1 OF 1

NO	DESCRIPTION	MATERIAL	FINISH	QTY
5				
4				
3	INSULAIOR	TEFLON	WHITE	2
2	CONTACT	BRASS	GOLD	2
1	BODY	BRASS	NICKEL	1