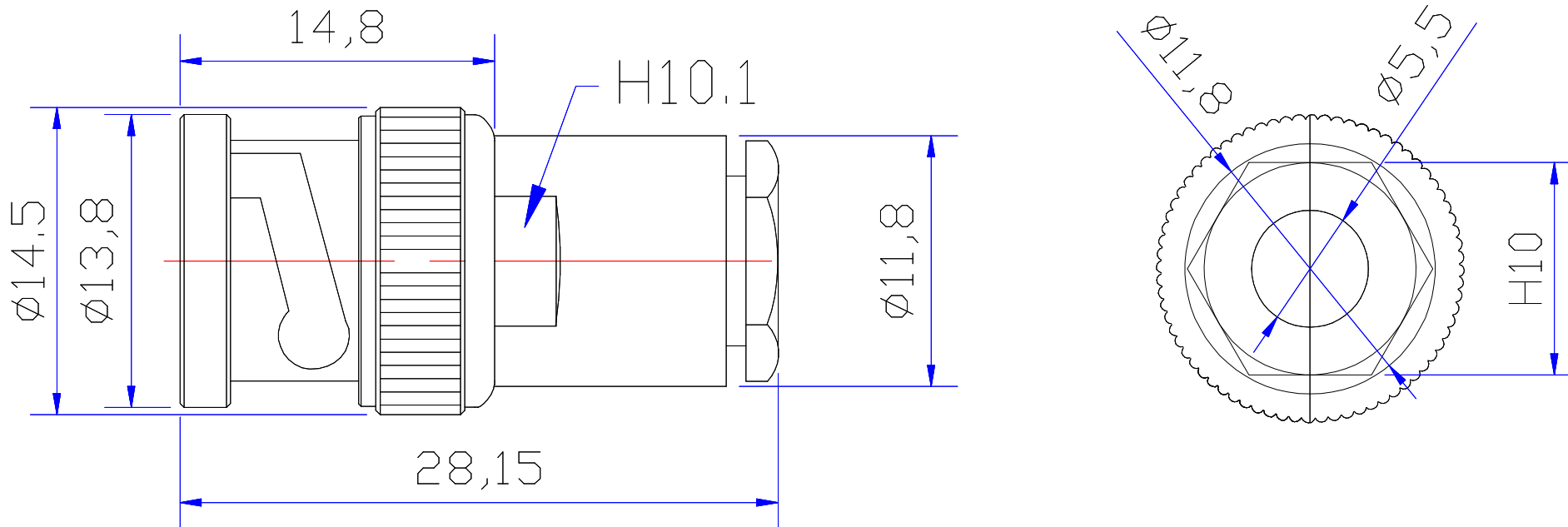




Product NO.	Renhotec-610-0075			
REV	DESCRIPTION	DWN	DATE	APPROVEN
A	First issue	Mr. Wang	2016/3/11	John kine



1	SHELL	Brass	NI:100-120u"
2	BODY	Brass	NI:100-120u"
3	Insulator	PCM	NONE
4			
5			
6			
7			
8			
9			
10			
NO	Component Number	Material	Finish

NOTE:	
DRAWN	2016/03/
Zelin. Zhang	11
CHECKED	
APPROVALS	11/03.2016
John Kine	

Tolerance	0-6	$\pm 0.10$
	6-30	$\pm 0.20$
View	30-120	$\pm 0.30$
	Angular	$\pm 2^\circ$
UNIT	MM	
SCALE	1:1	



**RENHOTEC GROUP**

Name: BNC CONNECTOR FOR RG58/RG59/6U CABLE			
SIZE	Product NO. RENHOTEC-610-0075	REV	
A			
DateTime	CAD FILE	SHEET: 1 OF 1	
2016/ 3/ 11	D/company drawings/BD		