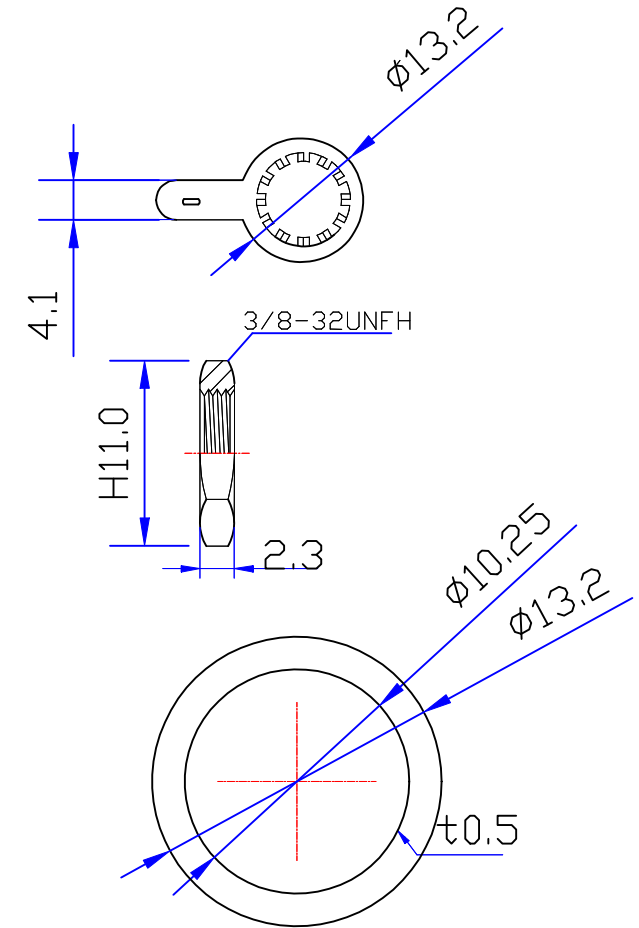
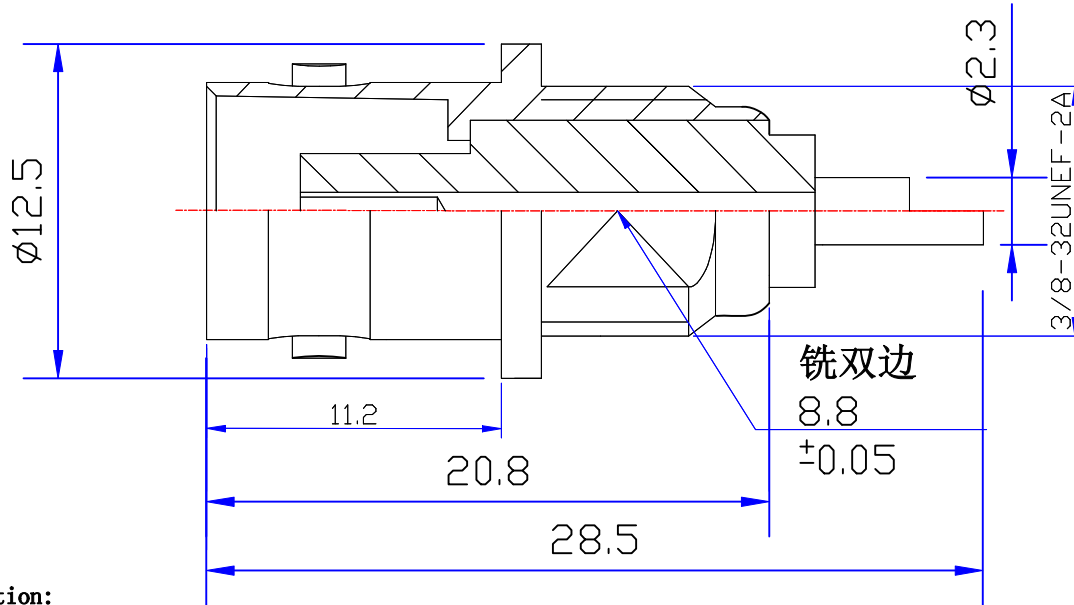




Product NO.	Renhotec-610-0066			
REV	DESCRIPTION	DWN	DATE	APPROVEN
A	First issue	Mr. Wang	2016/3/11	John kine



Specification:

Impedance: 50. Ohms

VSWR:1.3MAX

Frequency range:DC~4G

Working Voltage:500V rms @ sea level

Insulation resistance:5000 Ohms min

Temperature range:-55°C TO +155°C

Relative temperature:≤95%(40° C±2° C)

Drawings products are in line with ROHS standards .

NOTE:
DRAWN Zelin. Zhang 2016/03/11
CHECKED

Tolerance	0-6 ±0.10
	6-30 ±0.20
	30-120 ±0.30
	Angular ±2°



RENHOTEC GROUP

3	BY-00001-NI-0	Zinc	NICKE	1
2	PN-00002-NI-0	Brass	GOLD	1
1	IN-00001-0	POM	White	1
NO	DESCRIPTION	MATERIAL	FINISH	QTY

APPROVALS
John Kine 11/03.2016

View	
UNIT	MM
SCALE	1:1

Name: BNC CONNECTOR			
SIZE A	Product NO. RENHOTEC-610-0066	REV	B
DateTime	2016/3/11	CAD FILE	D/company drawings/BD
			SHEET: 1 OF 1