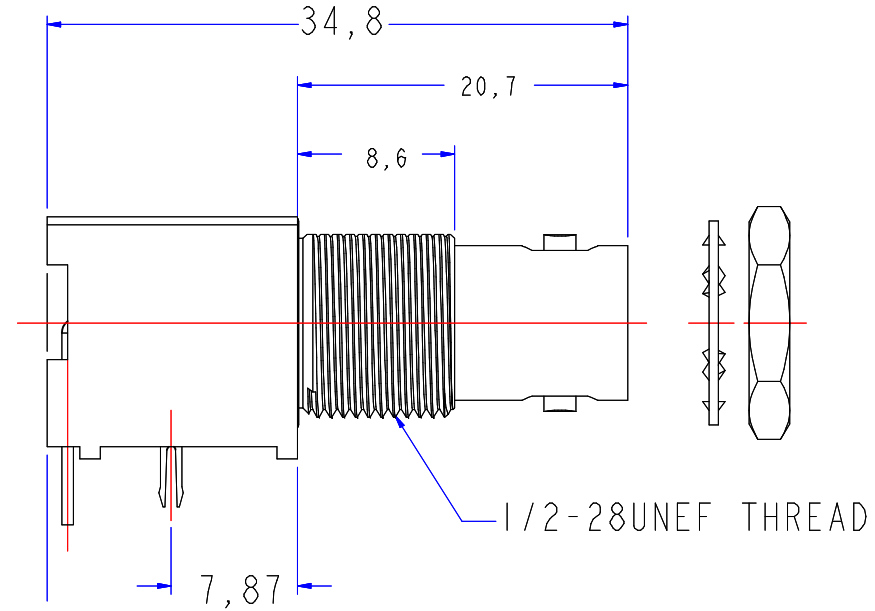
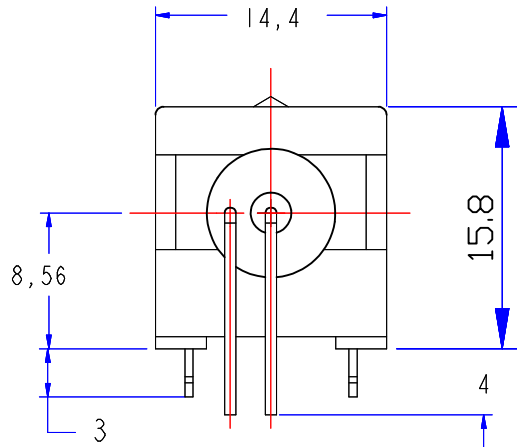




Product NO.	Renhotec-610-0048			
REV	DESCRIPTION	DWN	DATE	APPROVEN
A	First issue	Mr. Wang	2016/3/08	John kine



Specification:

Impedance:50. Ohms

VSWR:1.3MAX

Frequency range:DC~4G

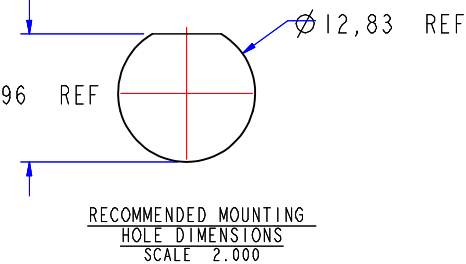
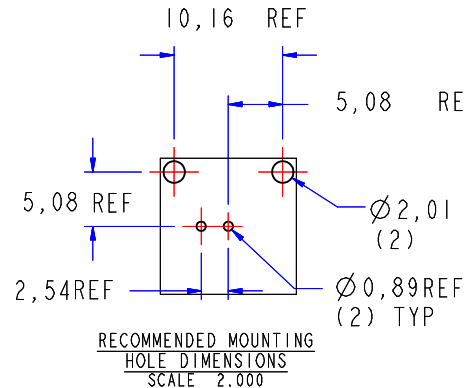
Working Voltage:500V rms @ sea level

Insulation resistance:5000 Ohms min

Temperature range:-55°C TO +155°C

Relative temperature:≤95%(40° C±2° C)

Drawings products are in line with ROHS standards.



1	Body	Zinc	NI:80-120u"
2	Center contact	Brass	AU:1u"
3	Lead	Iron	AU:1u"
4	Fixed footrest	Iron	NI:80-120u"
5	Insulator	POM	White
6	Fixed mount	ABS	White
7	Washer	Brass	NI:80-120u"
8	Hex nut	Brass	NI:80-120u"
9			
10			
NO	Component Number	Material	Finish

NOTE:	
DRAWN	2016/03/08
Zelin. Zhang	
CHECKED	
APPROVALS	
John Kine	8703.2016

Tolerance	0-6	±0.10
	6-30	±0.20
	30-120	±0.30
	Angular	±2°
View		
UNIT	MM	
SCALE	1:1	



RENHOTEC GROUP

Name: BNC WHITE JACK CONNECTOR (15.8MM)

SIZE	Product NO. RENHOTEC-610-0048	REV
A		B
DateTime	2016/3/08	CAD FILE
		D/company drawings/BD
SHEET: 1 OF 1		