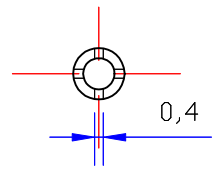
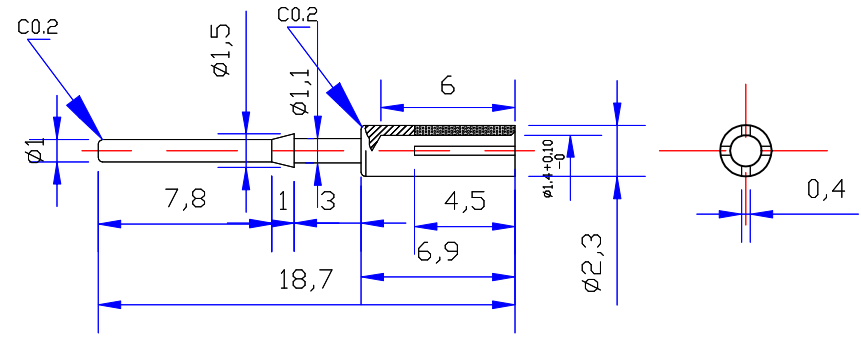
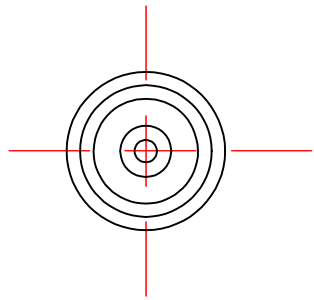
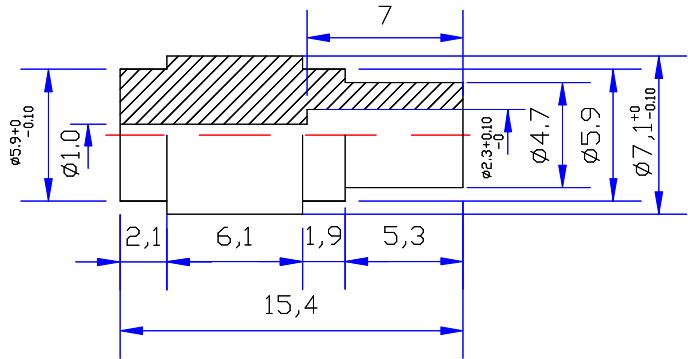
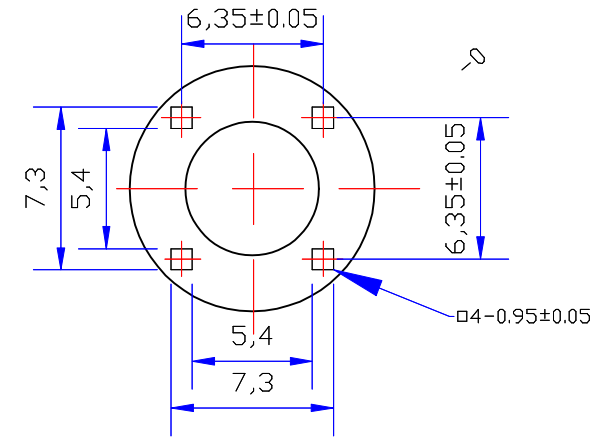
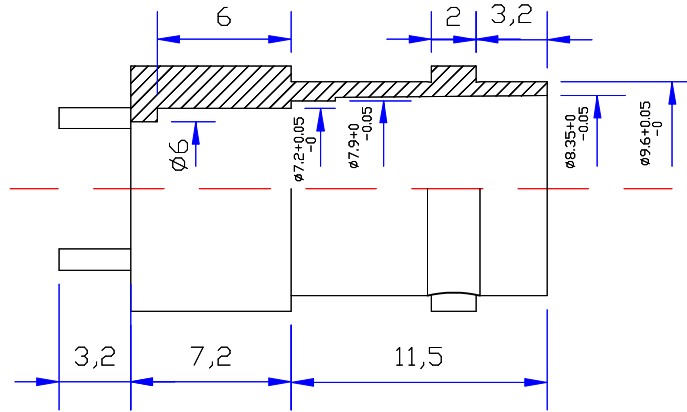
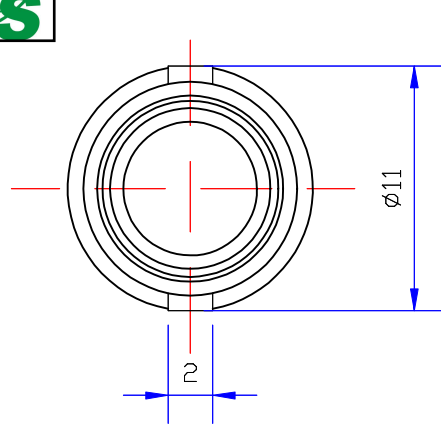




Product NO.	Renhotec-610-0023			
REV	DESCRIPTION	DWN	DATE	APPROVEN
A	First issue	Mr. Wang	2016/3/02	John kine



NOTE:

Tolerance	0-6 ±0.10
	6-30 ±0.20
	30-120 ±0.30
	Angular ±2°



RENHOTEC GROUP

C	INSULATOR	TEFLON	NONE	1
B	CONTACT PLATING	BRASS	GOLD	1
A	BODY	BRASS	NICKEL	1
NO	DESCRIPTION	MATERIAL	FINISHED	QTY

DRAWN
Zelin. Zhang
2016/03/02
CHECKED
APPROVALS
John Kine
09.03.2016

View	
UNIT	MM
SCALE	1:1

Name: BNC JACK CONNECTOR DNN	
SIZE A	Product NO. RENHOTEC-610-0023
DateTime	2016/3/02
CAD FILE	D/company drawings/BD
SHEET: 1 OF 1	