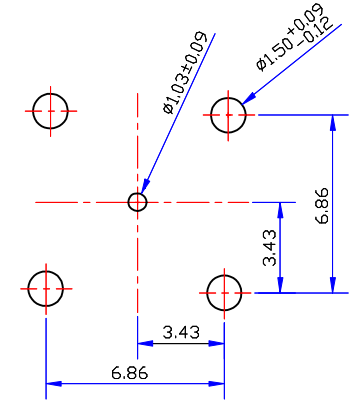
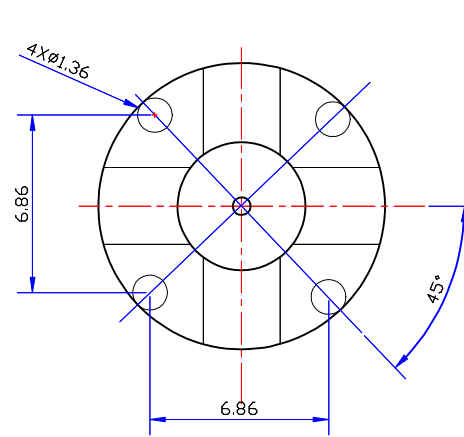
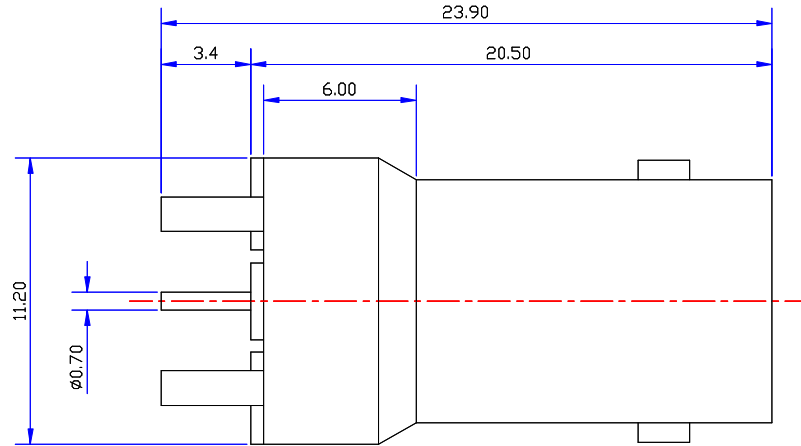




Product NO.	Renhotec-610-0020			
REV	DESCRIPTION	DWN	DATE	APPROVEN
A	First issue	Mr. Wang	2016/3/02	John kine



PCB

**Specification:**

Impedance:50. Ohms

VSWR:1.3MAX

Frequency range:DC~4G

Working Voltage:500V rms @ sea level

Insulation resistance:5000 Ohms min

Temperature range:-55°C TO +155°C

Relative temperature:≤95%(40° C±2° C)

Drawings products are in line with ROHS standards.

**NOTE:**

Tolerance

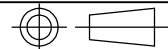
0-6	±0.10
6-30	±0.20
30-120	±0.30
Angular	±2°



**RENHOTEC GROUP**

DRAWN  
Zelin. Zhang  
2016/03/02

View



Name: BNC JACK CONNECTOR DNN

CHECKED

UNIT

MM

SIZE A Product NO. RENHOTEC-610-0020

APPROVALS  
John Kine  
09.03.2016

SCALE

1:1

DateTime  
2016/3/02

CAD FILE  
D/company drawings/BD

SHEET: 1 OF 1

C	INSULATOR	POM	NONE	1
B	CONTACT PLATING	BRASS	GOLD	1
A	BODY	ZINC	NICKEL	1
NO	DESCRIPTION	MATERIAL	FINISHED	QTY