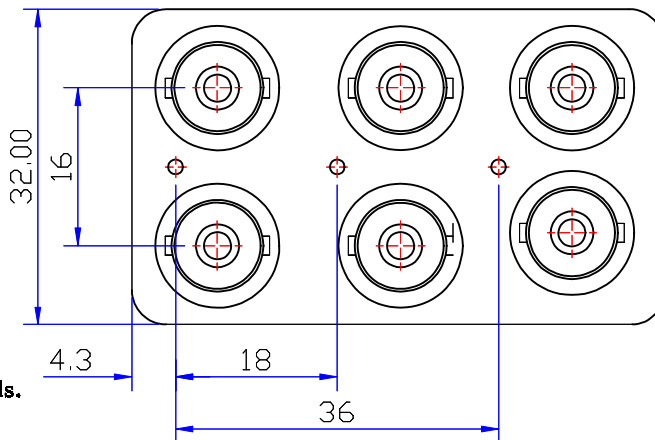
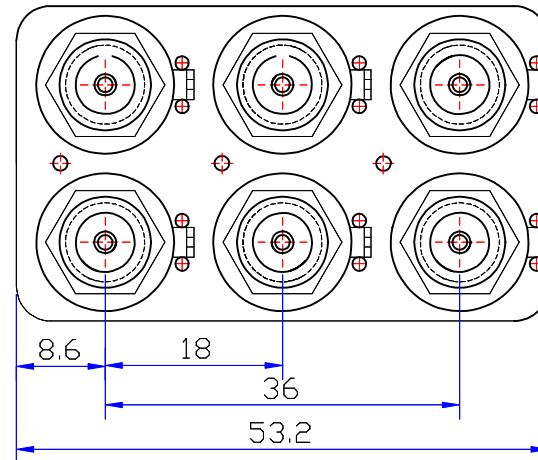
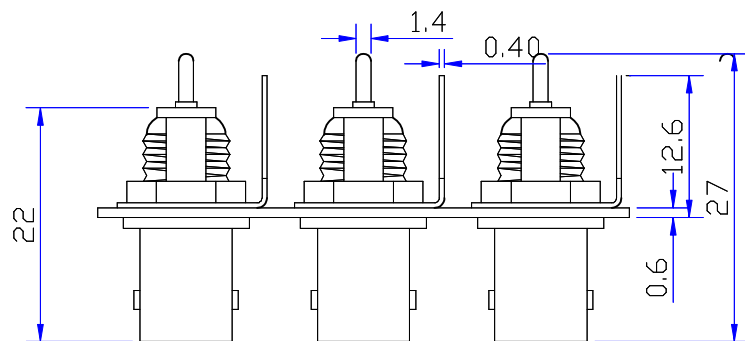
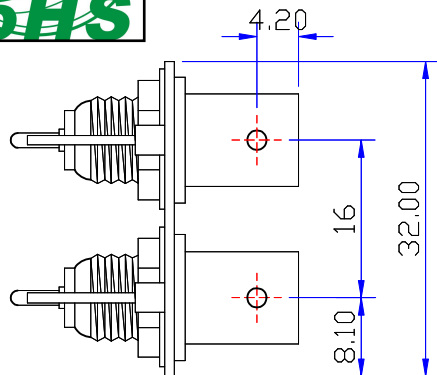




Product NO.	Renhotec-610-0019			
REV	DESCRIPTION	DWN	DATE	APPROVEN
A	First issue	Mr. Wang	2016/3/02	John kine



**Specification:**

VSWR:1.3MAX

Frequency range:DC~4G

Working Voltage:500V rms @ sea level

Insulation resistance:5000 Ohms min

Temperature range:-55°C TO +155°C

Relative temperature:≤95%(40° C±2° C)

Drawings products are in line with ROHS standards.



1	BY-00001-NI-0	Zinc	NI:80-120u"	8
2	PN-00002-NI-0	Brass	NI:80-120u"	8
3	IN-00001-0	POM	White	8
4	TR-00003-NI-0	Iron	NI:80-120u"	8
5	FM-00011-0	PBT/ABS	Black	1
6	TR-00016-NI-0	Iron	NI:80-120u"	1
7				
8				
9				
10				
NO	Component Number	Material	Finish	QTY

NOTE:	
DRAWN	2016/03/02
Zelin. Zhang	
CHECKED	
APPROVALS	09.03.2016
John Kine	

Tolerance	0-6 ±0.10
	6-30 ±0.20
	30-120 ±0.30
	Angular ±2°
View	
UNIT	MM
SCALE	1:1

		<b>RENHOTEC GROUP</b>	
Name: BNC Jack 2*3 Port 180° PCB Mount			
SIZE	Product NO. RENHOTEC-610-0019	REV	
A		B	
DateTime	CAD FILE	SHEET: 1 OF 1	
2016/3/02	D/company drawings/BD		