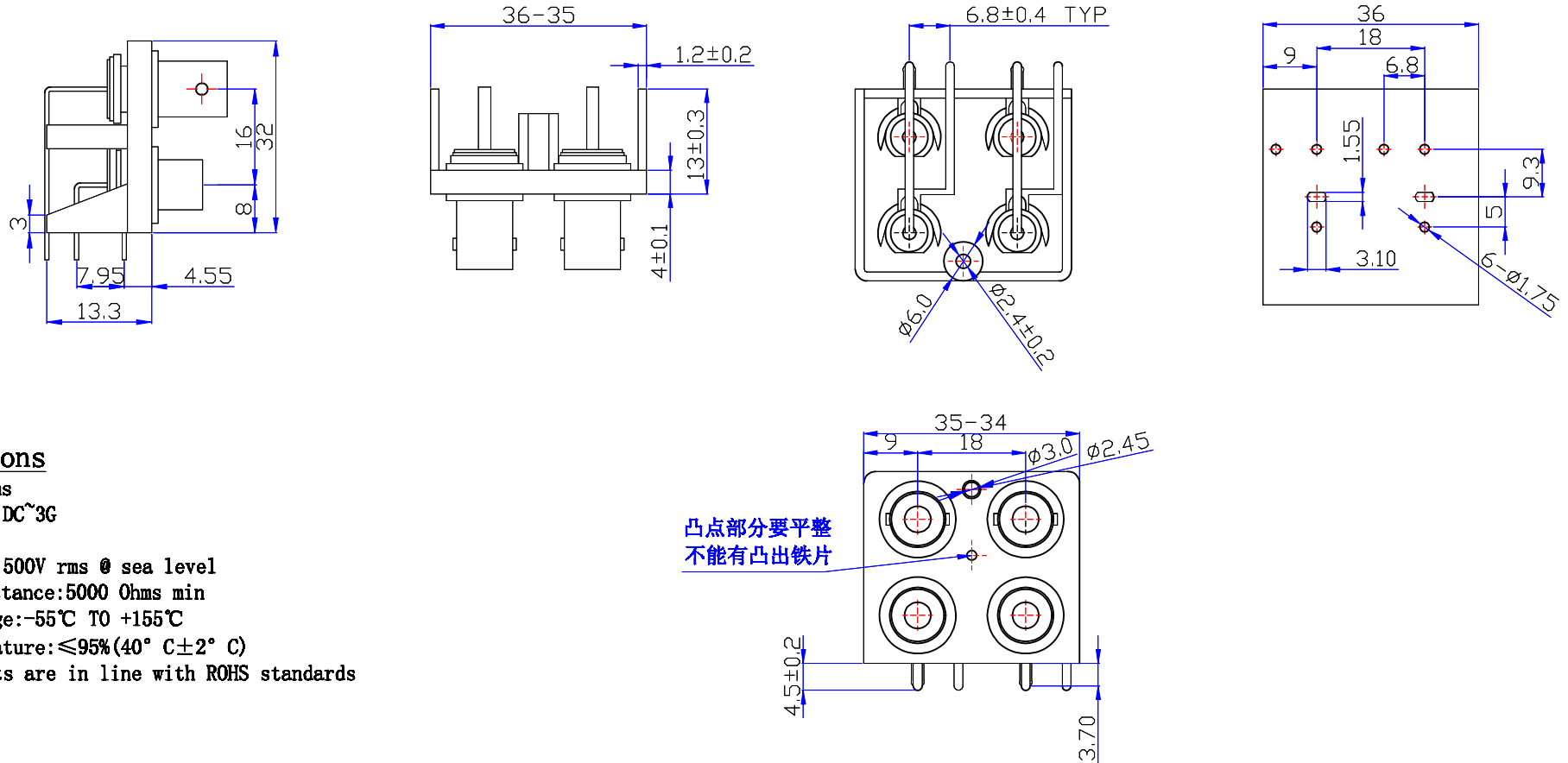




Product NO.	Renhotec-610-0016			
REV	DESCRIPTION	DWN	DATE	APPROVEN
A	First issue	Mr. Wang	2016/3/02	John kine



凸点部分要平整
不能有凸出铁片

Specifications

Impedance: 50 Ohms
 Frequency Range: DC~3G
 VSWR: 1.3MAX
 Working Voltage: 500V rms @ sea level
 Insulation Resistance: 5000 Ohms min
 Temperature Range: -55°C TO +155°C
 Relative Humidity: ≤95% (40°C ±2°C)
 Drawings products are in line with ROHS standards

1	BY-00001-NI-0	Zinc	NI:80-120u"	4
2	IN-00001-0	POM	White	4
3	PN-00001-NI-0	Brass	NI:80-120u"	2
4	TR-00001-NI-0	Iron	NI:80-120u"	2
5	PN-00003-NI-0	Brass	NI:80-120u"	2
6	TR-00003-NI-0	Iron	NI:80-120u"	1
7	FM-00007-0	PBT/ABS	Black	1
8	TR-00007-NI-0	Iron	NI:80-120u"	1
9				
10				
NO	Component Number	Material	Finish	QTY

NOTE:		Tolerance	0-6	±0.10
			6-30	±0.20
		View	30-120	±0.30
			Angular	±2°
DRAWN	2016/03/02	UNIT	MM	
Zelin. Zhang				
CHECKED		SCALE	1:1	
APPROVALS				
John Kine		09.03.2016		



RENHOTEC GROUP

Name: BNC Jack 2*2 Port B&R 90° PCB Mount

SIZE	Product NO. RENHOTEC-610-0016	REV
A		B
DateTime	CAD FILE	SHEET: 1 OF 1
2016/3/02	D/company drawings/BD	