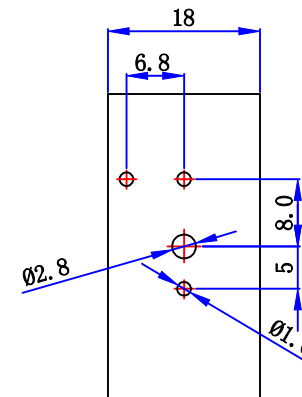
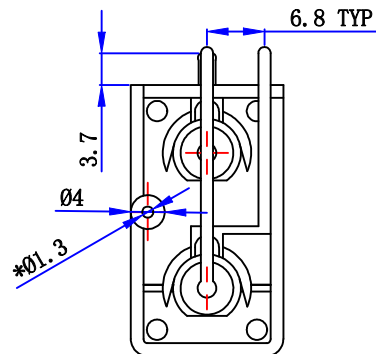
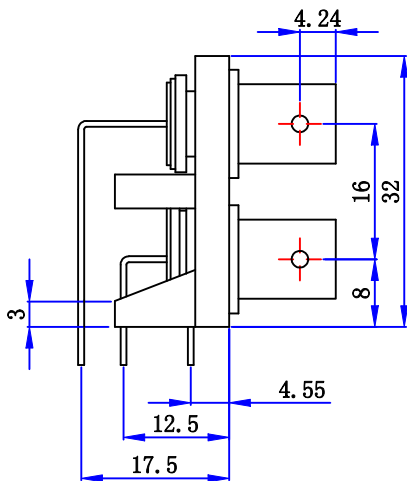
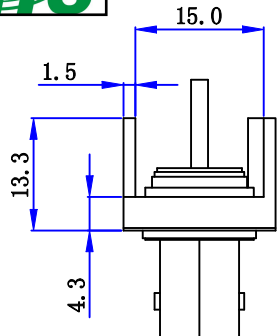




Product NO.	Renhotec-610-0003			
REV	DESCRIPTION	DWN	DATE	APPROVEN
A	First issue	Mr. Wang	2016/1/16	John kine



Specification:

Impedance: 50 Ohms

VSWR:1.3MAX

Frequency range:DC~4G

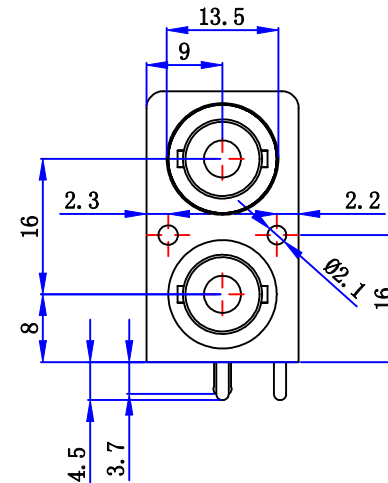
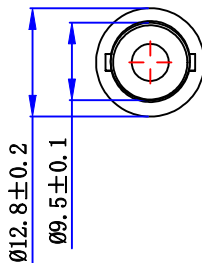
Working Voltage:500V rms @ sea level

Insulation resistance:5000 Ohms min

Temperature range:-55°C TO +155°C

Relative temperature:≤95%(40° C±2° C)

Drawings products are in line with ROHS standards .



NO	DESCRIPTION	MATERIAL	FINISH	QTY
5	Solder column	Iron	NICKEL	2
4	IRON PLATES	Iron	NICKEL	1
3	PANEL	ABS	BLACK	1
2	PIN	BRASS	NICKEL	2
1	BODY	ZINC	NICKEL	2

NOTE:	
DRAWN	2016/03/02
Zelin. Zhang	
CHECKED	
APPROVALS	09.03.2016
John Kine	

Tolerance	0-6 ±0.10 6-30 ±0.20 30-120 ±0.30 Angular ±2°
View	
UNIT	MM
SCALE	1:1



RENHOTEC GROUP

Name: BNC 2x1 CONNECTOR DNN

SIZE	Product NO. RENHOTEC-610-0003	REV
A		B
DateTime	CAD FILE	SHEET: 1 OF 1
2016/3/02	D/company drawings/BD	