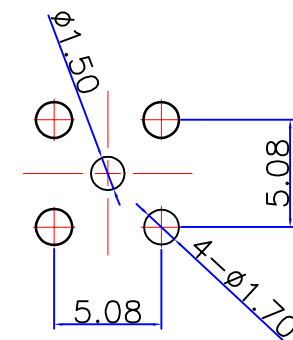
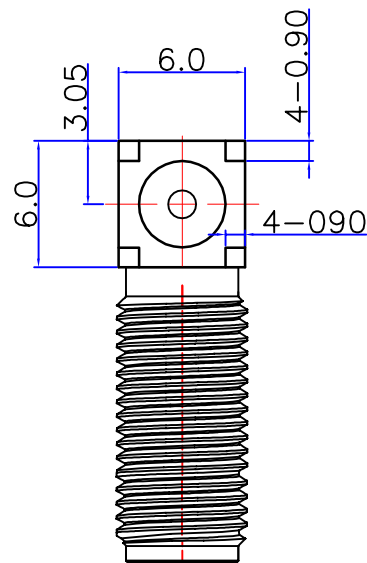
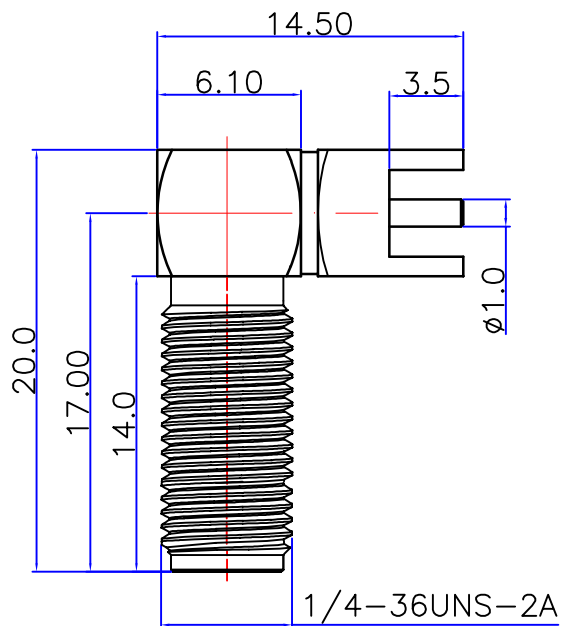




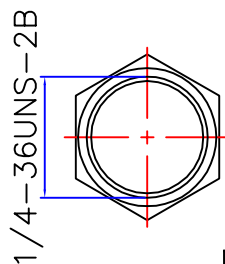
PRODUCT NO:		DS806FPR0003		
REV	DESCRIPTION	DWN	DATE	APPROVEN
A	FIRST ISSUE	W.cheng	2019/11/14	John kine
B				



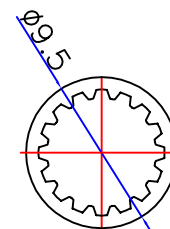
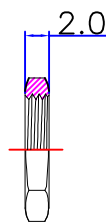
RECOMMENDED PCB LAYOUT

**SPECIFICATIONS:**

IMPEDANCE: 50 ohms  
 FREQUENCY RANGE: 0~6GHZ  
 VSWR: 1.5MAX  
 WORKING VOLTAGE: 750V RMS@SEA LEVEL  
 INSULATION RESISTANCE: 5000 ohms min  
 TEMPERATURE RANGE: -65°C TO +165°C  
 RELATIVE TEMPERATURE: ≤95%(40°C±2°C)



NUT



WASHER

PRODUCT NO	NUT	WASHER
DS806FPR0003	BELT	BELT
DS806FPR0003A	NOT	NOT

1	BODY	BRASS	GOLD	1	NOTE:
2	INSULATOR	TEFLON	WHITE	1	
3	CONTACT PIN	BRASS	GOLD	1	
4	NUT	BRASS	GOLD	1	
5	WASHER	BRASS	GOLD	1	
6					
7					
8					
9					
10					
NO	COMPONENT NUMBER	MATERIAL	FINISH	QTY	APPROVALS

DRAWN	W.cheng	2019/11/14
CHECKED		
APPROVALS		

TOIERANCE	UNLESS OTHER WISPECIFIED TOLERANCES IN INCHES ARE 0.5-8MM±0.020MM 8-30MM±0.40MM 30-120MM±0.50MM
VIEW	
UNIT	MM
SCALE	1 : 1

<b>DOSIN</b> DOSIN INDUSTRIAL(HK)CO.,LTD 东莞市德索五金电子有限公司 Dongguan Dosin Hardware Electronics Co.,Ltd.		Web: <a href="http://www.dosinconn.com">http://www.dosinconn.com</a> dosin2005@dosin-china.com E-mail: dosin2005@163.com Tel: (0086)769-81153906 Fax: (0086)769-81875836
NAME: SMA ANGLE JACK		
SIZE	PRODUCT NO: DS806FPR0003	REV A
DATE TIME	CAD FILE	SHEET: 1 OF 1
2019/11/14	H/companydrawings/BD	