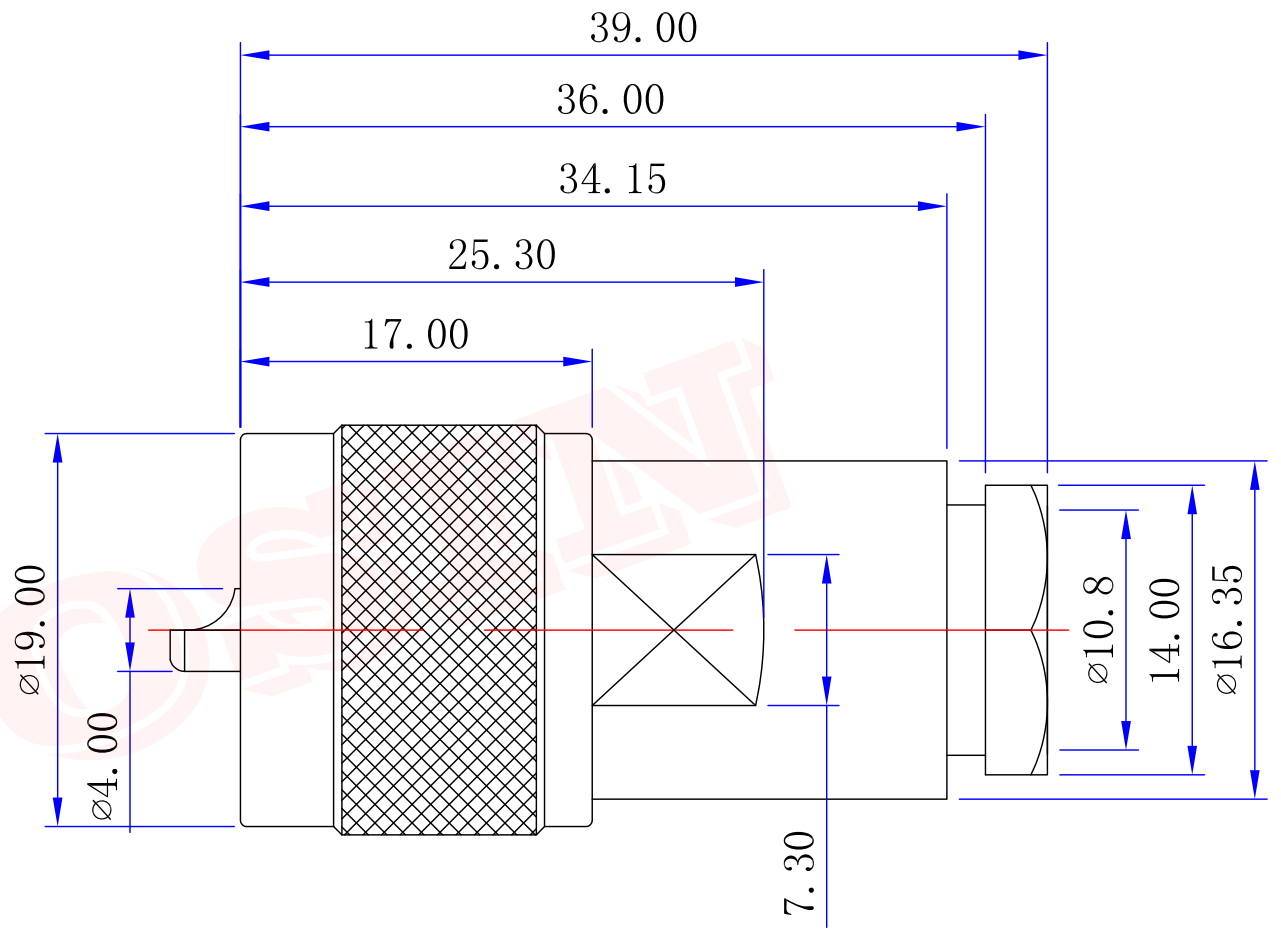
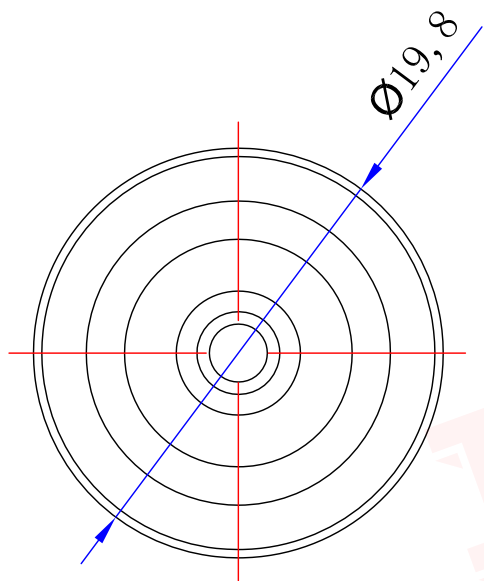




Product NO.		DOSIN-847-0104		
REV	DESCRIPTION	DWN	DATE	APPROVEN
A	First issue	Gavin	2018/06/05	John kine
B				



NO	DESCRIPTION	MATERIAL	FINISH	QTY
3	PIN	BRASS	GOLD	1
2	DIELECTRIC	TEFLON	NONE	1
1	BODY	BRASS	Black chromium	1

Tolerance	X. ±0.1 X.X ±0.15 X.XX ±0.20 Angular ±5°
View	
UNIT	MM
SCALE	1:1

Dosin Industrial(H.K)Co.Ltd dosin2005@dosin-china.com
 Web:<http://www.china-guan.com>
东莞市德索五金电子制品有限公司 TEL:(0086)769-81153906
Dosin Hardware Electronics Co.,Ltd FAX:(0086)769-81875836

Name: **UHF PLUG FOR RGS CABLE**

SIZE A	Product NO.	DOSIN-847-0104	REV A
DateTime	CAD FILE	D/company drawings/BD	SHEET: 1 OF 1