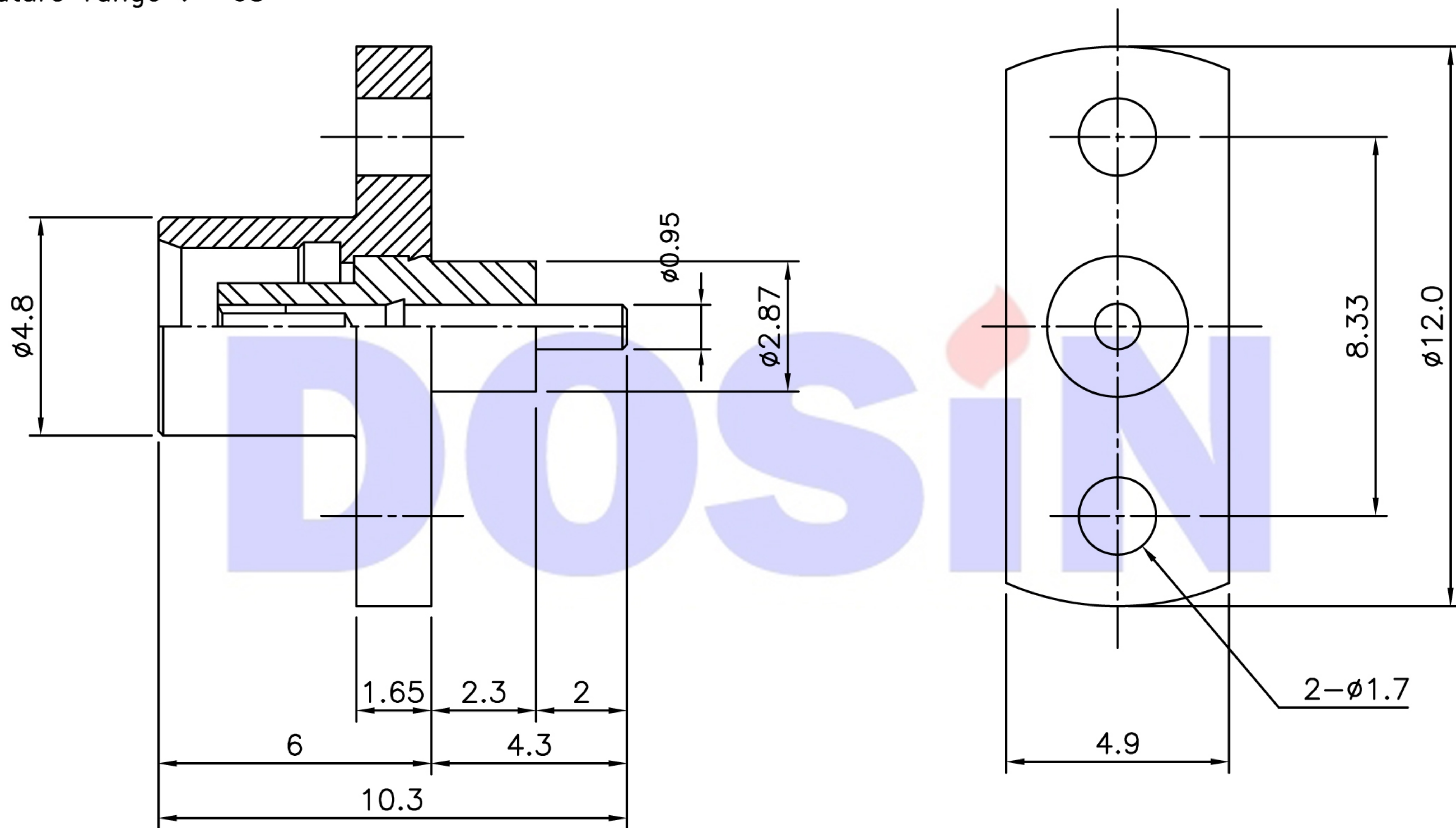




Electrical Data
 Impedance : 50 OHm
 Frequency range : DC~6 GHz
 Contact current : DC 1.5A MAX.
 Working voltage : 335V RMS
 V.S.W.R : ≤1.20
 Temperature range : -65

Product NO. DOSIN-809-1021

REV	DESCRIPTION	DWN	DATE	APPROVEN
A	First issue	JIM	2017. 3. 9	John kine



Item	Materials	Plating
Body	Brass	Gold Plated
Center contact	Be-Cu	Gold Plated
Insulator	PTFE	-

MCX 2-Hole Flange Mount Jack Receptacle (50 Ohm)

NOTE:		Tolerance	0-6	±0.05	Dosin Industrial(H.K)Co.Ltd 东莞市德索五金电子制品有限公司 Dosin Hardware Electronics Co.,Ltd E-mail:dosin2005@163.com dosin2005@dosin-china.com Web:http://www.dosinconn.com TEL:(0086)769-81153906 FAX:(0086)769-81875836
DRAWN			6-30	±0.10	
Zelin. Zhang	2017. 3. 9	30-120	±0.20		
CHECKED		Angular	±2°		
APPROVALS		View			Name: MCX 2 Hole Flange Mount Jack Receptacle
John		UNIT	MM		SIZE A
		SCALE	1:1		Product NO. DOSIN-809-1021
			DateTime	2017. 3. 9	REV B
			CAD FILE	D/company drawings/BD	SHEET: 1 OF 1