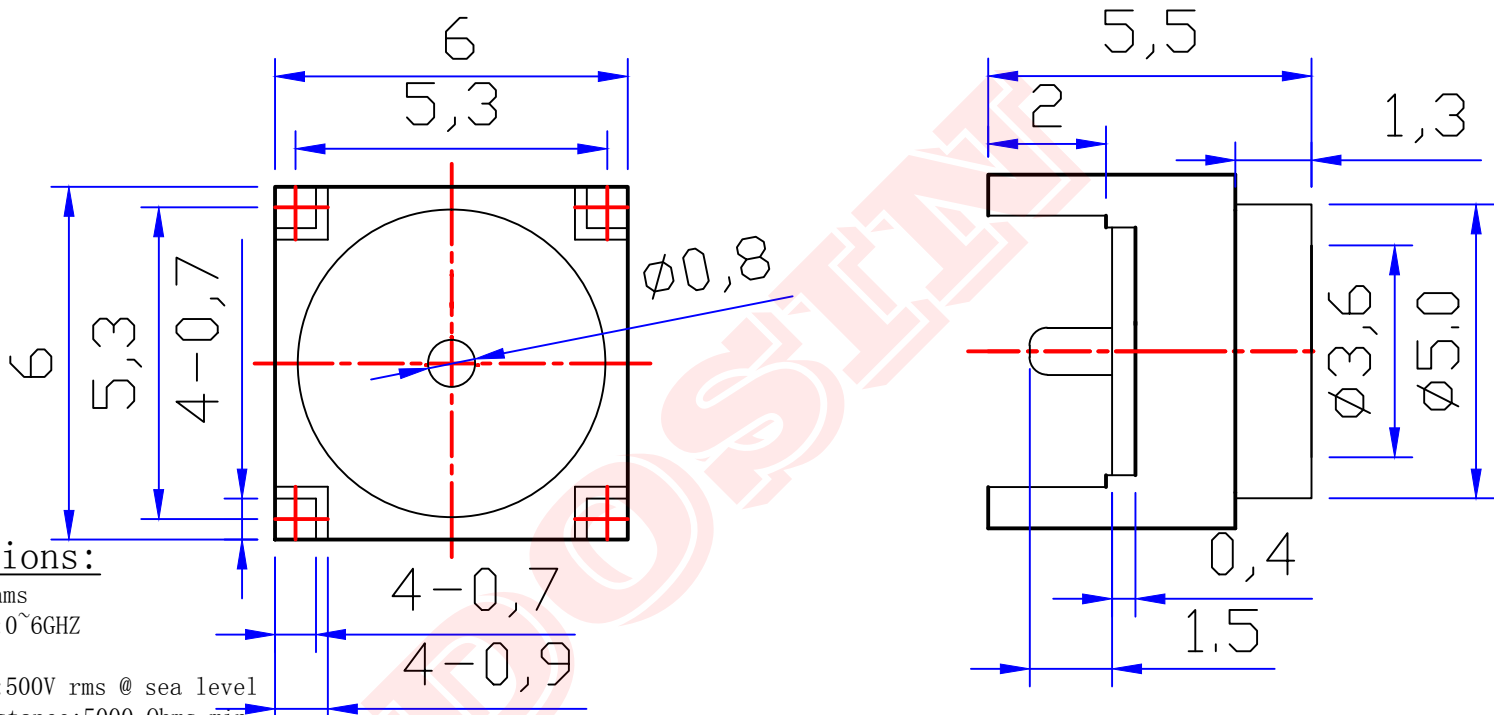




Product NO.		DOSIN-809-0091		
REV	DESCRIPTION	DWN	DATE	APPROVEN
A	First issue	CHEN	2018/03/01	John kine
B				



Specifications:

IMPEDANCE: 50 Ohms
 Frequency range: 0~6GHZ
 VSWR: 1.5MAX
 Working voltage: 500V rms @ sea level
 Insulation resistance: 5000 Ohms min
 Temperature range: -65°C TO +165°C
 Relative temperature: ≤95% (40° C ± 2° C)

1	Body	Brass	Au:1u"	1	NOTE:	Tolerance	X.	±0.1	Dosin Industrial(H.K)Co.Ltd 东莞市德索五金电子制品有限公司 Dosin Hardware Electronics Co.,Ltd	dosin2005@dosin-china.com Web: http://www.china-guan.com TEL: (0086) 769-81153906 FAX: (0086) 769-81875836
2	Insulator	TEFLON	White	1			X.X	±0.1		
3	Center contact	Phosphor	Au:3u"	1			X.XX	±0.1		
4						Angular	±5°	Name: MCX JACK FOR PCB CONNECTOR		
5					DRAWN	View				
6					Gavin					
7					CHECKED	UNIT	MM	SIZE	Product NO.	REV
8						SCALE	1:1	A	DOSIN-809-0091	A
9					APPROVALS	Date Time		CAD FILE		SHEET: 1 OF 1
10	Component Number	Material	Finish	QTY	John kine	2018/03/01		D/company drawings/BD		