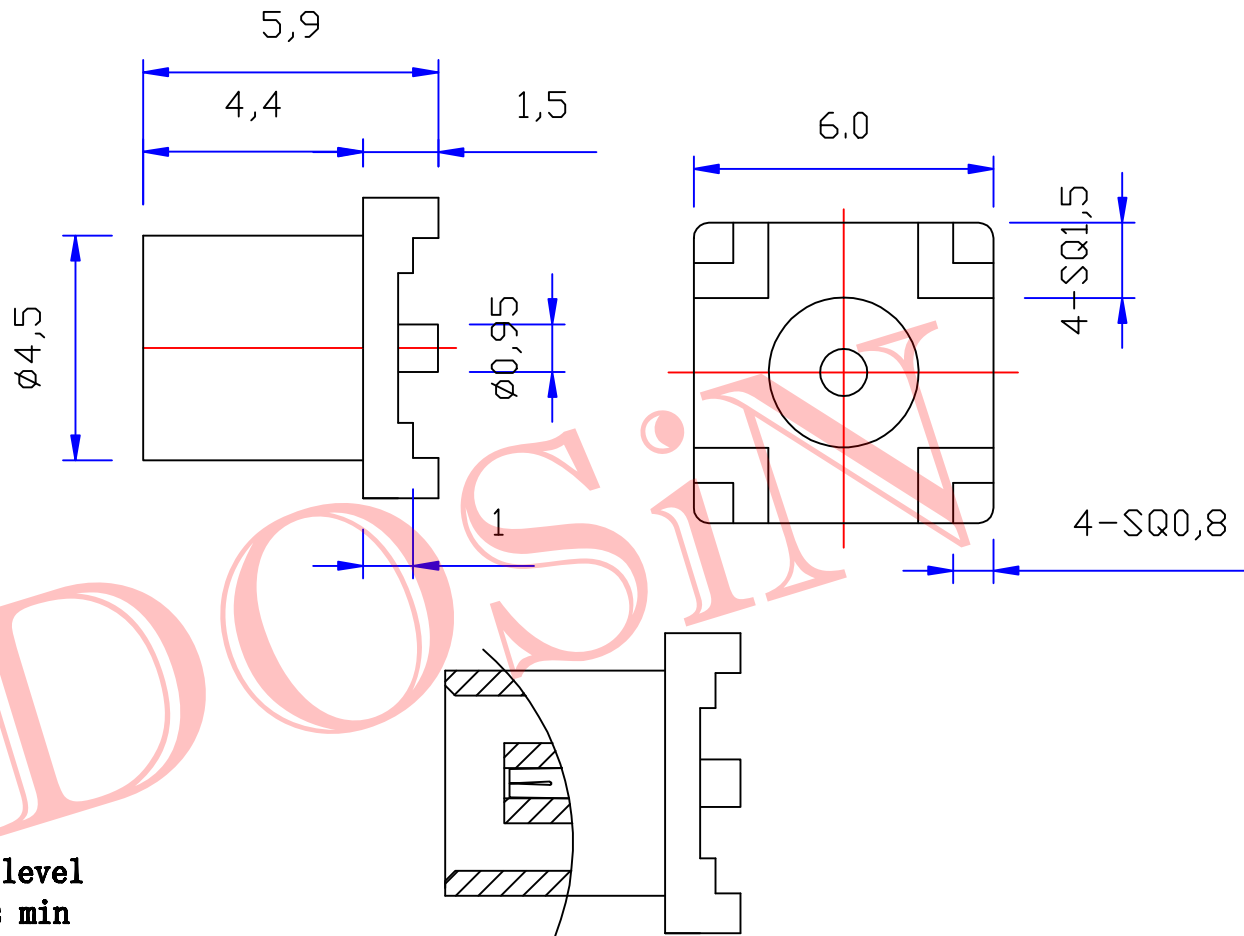




Product NO.		DOSIN-809-0009		
REV	DESCRIPTION	DWN	DATE	APPROVEN
A	First issue	Mr. Wang	2015/07/11	John kine
B				



Specifications:

- IMPEDANCE: 50 Ohms
- Frequency range: 0~6GHZ
- VSWR: 1.5MAX
- Working voltage: 500V rms @ sea level
- Insulation resistance: 5000 Ohms min
- Temperature range: -55°C TO +155°C
- Relative temperature: ≤95% (40° C ± 2° C)

1	Body	Brass	Au: 1u"
2	Insulator	TEFLON	White
3	Center contact	Phosphor	Au: 3u"
4			
5			
6			
7			
8			
9			
10			
NO	Component Number	Material	Finish

NOTE:	
DRAWN	Zelin. Zhang
CHECKED	
APPROVALS	John Kine

Tolerance	X	±0.15
	X.X	±0.10
	X.XX	±0.05
View	Angular	±5°
UNIT	MM	
SCALE	1:1	

DOSIN <i>Dosin Industrial (HK) Co Ltd</i>		E-mail: dosin2005@163.com	
东莞市德索五金电子制品有限公司		dosin2005@dosin-china.com	
<i>Dosin Hardware Electronics Co., Ltd</i>		Web: http://www.dosinconn.com	
		TEL: (0086) 769-81153906	
		FAX: (0086) 769-81875836	
Name: MCX JACK SMT			
SIZE	Product NO.	REV	
A	DOSIN-809-0009	A	
DateTime	CAD FILE	SHEET: 1 OF 1	
2015/07/11	H/company drawings/BD		