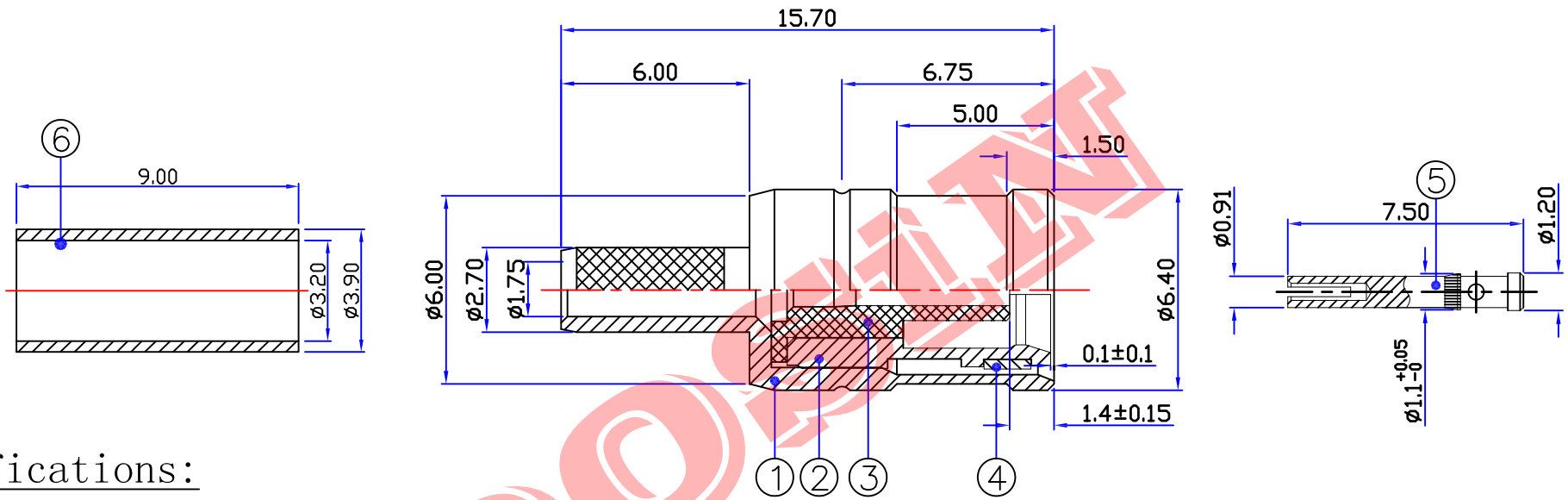


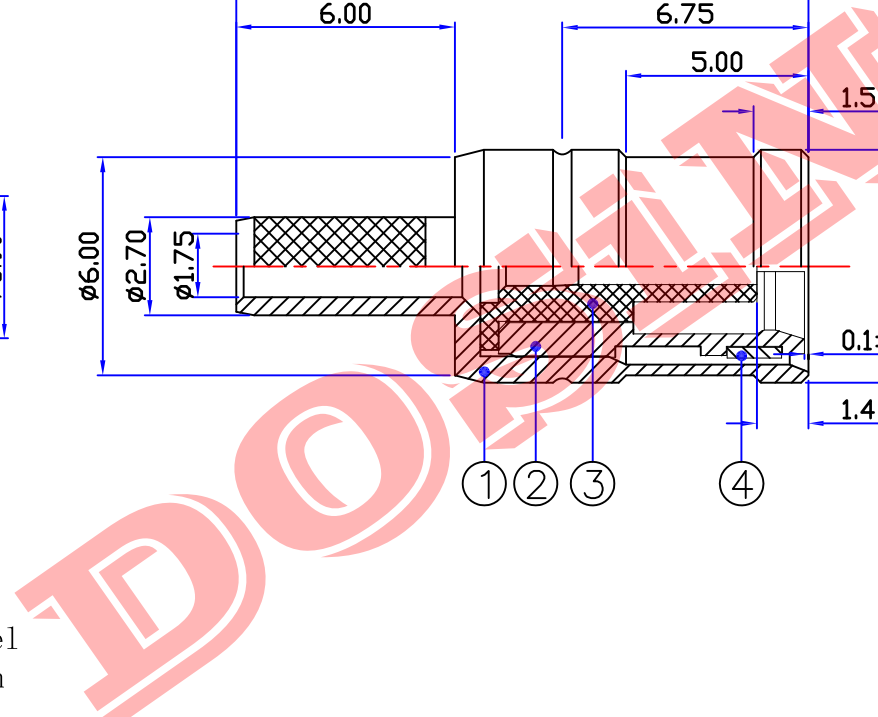


Customer NO:		DOSIN-807-0034		
REV	DESCRIPTION	DWN	DATE	APPROVEN
A	First issue	Mr. CHEN	2016/4/11	John kine
B				



Specifications:

IMPEDANCE: 50 Ohms
 Frequency range: 0~6GHZ
 VSWR: 1.5MAX
 Working voltage: 500V rms @ sea level
 Insulation resistance: 5000 Ohms min
 Temperature range: -55°C TO +155°C
 Relative temperature: ≤95% (40° C ± 2° C)



8					
7					
6					
5					
4	FERRULE	BRASS	NICKEL	1	
3	CONTACT PIN	BER. COPPER	GOLD	1	
2	INSULATOR	TEFLON	WHITE	1	
1	BODY	BRASS	GOLD	1	
	DESCRIPTION	MATERIAL	FINISH	QTY	

NOTE:

DRAWN
Zelin. CHEN

CHECKED

APPROVALS
John

Tolerance	X.	±0.15
	X.X	±0.10
View	X.XX	±0.05
	Angular	±5°
UNIT	MM	
SCALE	1:1	

Dosin Industrial (HK) Co. Ltd
 东莞市德索五金电子制品有限公司
Dosin Hardware Electronics Co., Ltd

E-mail: dosin2005@163.com
 dosin2005@dosin-china.com
 Web: http://www.dosinconn.com
 TEL: (0086) 769-81153906
 FAX: (0086) 769-81875836

Name: SMB PLUG FOR RG316 CABLE

SIZE A	Product NO. DOSIN-807-0034	REV A
DateTime	CAD FILE	SHEET: 1 OF 1
2016/4/11	H/company drawings/BD	