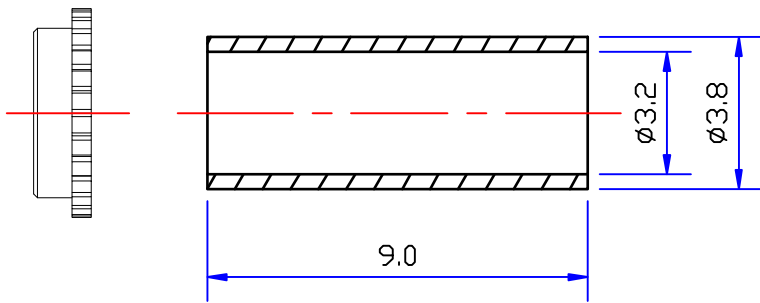
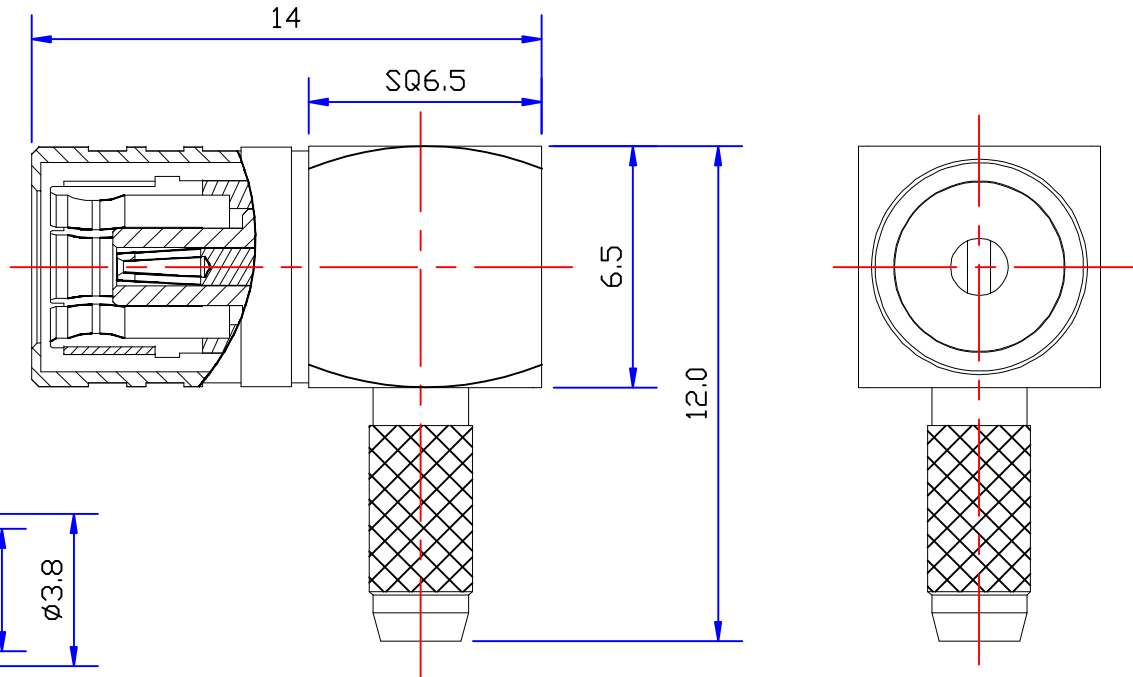




Product NO.		DOSIN-807-0020		
REV	DESCRIPTION	DWN	DATE	APPROVEN
A	First issue	Mr. Wang	2015/08/04	John kine
B				



1	FERRULE	BRASS	GOLD PLATED
1	COVER	BRASS	GOLD PLATED
1	CONTACT	BERYLLIUM COPPER	GOLD PLATED
1	BODY	BRASS	GOLD PLATED
1	BODY	BRASS	GOLD PLATED
1	SLEEVE	BRASS	GOLD PLATED
1	INSULATOR	TEFLON	NONE
1	RETAINING RING	☆ SUS-304	NONE
QTY	DESCRIPTION	MATERIAL	FINISH

NOTE:

DRAWN
Zelin. Zhang

CHECKED

APPROVALS
John Kine

Tolerance	0-6	±0.15
	6-30	±0.20
View	30-120	±0.30
	Angular	±5°
UNIT	MM	
SCALE	1:1	

DOSIN *Dosin Industrial (HK) Co. Ltd*
 东莞市德索五金电子制品有限公司
 Dosin Hardware Electronics Co., Ltd

E-mail: dosin2005@163.com
 dosin2005@dosin-china.com
 Web: http://www.dosinconn.com
 TEL: (0086) 769-81153906
 FAX: (0086) 769-81875836

Name: **SMB R/A PLUG FOR RG174 CABLE**

SIZE A	Product NO.	REV A
	DOSIN-807-0020	
DateTime	CAD FILE	SHEET: 1 OF 1
2015/08/04	H/company drawings/BD	