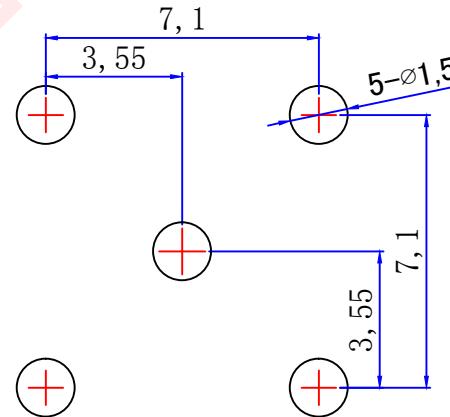
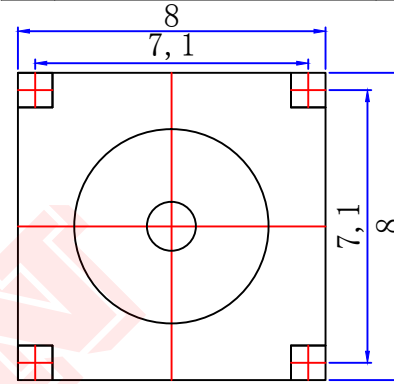


Product NO. DOSIN-806-0356

REV	DESCRIPTION	DWN	DATE	APPROVEN
A	First issue	Mr. chen	2018/12/12	John kine



PCB

Specifications:

IMPEDANCE: 50 Ohms
 Frequency range: 0~6GHZ
 VSWR: 1.5MAX
 Working voltage: 500V rms @ sea level
 Insulation resistance: 5000 Ohms min
 Temperature range: -65°C TO +165°C
 Relative temperature: ≤95% (40° C ± 2° C)

1	Body	Brass	Au:lu ^z	NOTE:	Tolerance	X.	±0.15	Dosin Industrial (HK) Co. Ltd 东莞市德索五金电子制品有限公司 Dosin Hardware Electronics Co., Ltd	E-mail: dosin2005@163.com
2	Insulator	TEFLON	White			X.X	±0.10		dosin2005@dosin-china.com
3	Center contact	Phosphor	Au:3u ^z			X.XX	±0.05		Web: http://www.dosinconn.com
4						Angular	±5°		TEL: (0086) 769-81153906
5							FAX: (0086) 769-81875836		
6				DRAWN	2018/12/12	View		Name: SMA Jack FOR PCB Connector	
7				Zelin.chen	12			UNIT	MM
8				CHECKED		SCALE	1:1	DateTime	2018/12/12
9				APPROVALS				CAD FILE	H/company drawings/BD
10	Component Number	Material	Finish	John	12/12.2018			SHEET: 1 OF 1	