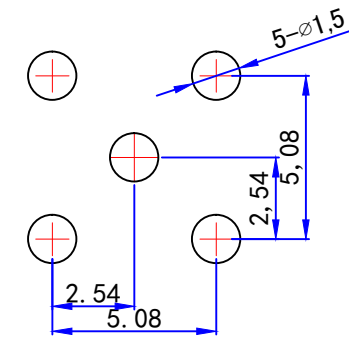
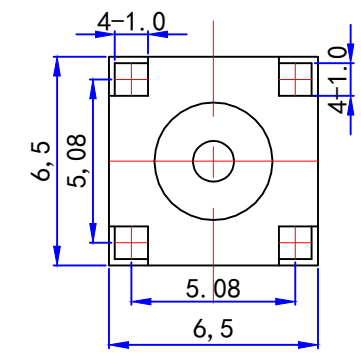
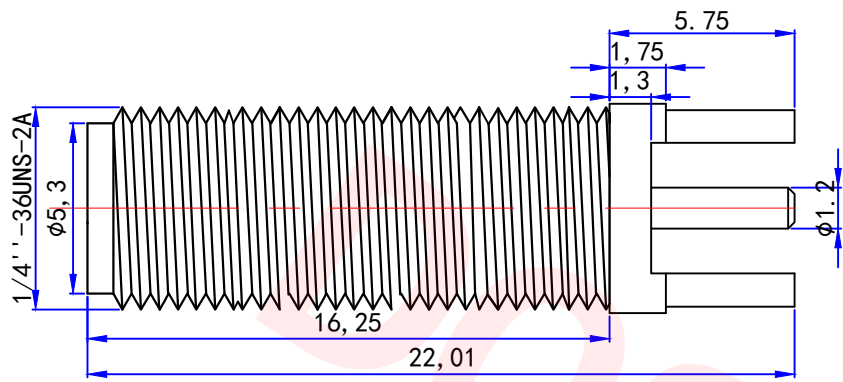




Product NO.		DOSIN-806-0299		
REV	DESCRIPTION	DWN	DATE	APPROVEN
A	First issue	Mr. CHEN	2018/01/04	John kine
B				



PCB

Specifications:

- IMPEDANCE: 50 Ohms
- Frequency range: 0~6GHZ
- VSWR: 1.5MAX
- Working voltage: 500V rms @ sea level
- Insulation resistance: 5000 Ohms min
- Temperature range: -65°C TO +165°C
- Relative temperature: ≤95% (40° C ± 2° C)

1	Body	Brass-C3604	Au:1u"
2	Insulator	TEFLON	White
3	Center contact	Brass-C3604	Au:3u"
4			
5			
6			
7			
8			
9			
10			
NO	Component Number	Material	Finish

NOTE:		
DRAWN	Zelin. CHEN	
CHECKED		
APPROVALS		

Tolerance	X. ±0.15 X.X ±0.10 X.XX ±0.05 Angular ±5°		DOSIN Dosin Industrial (H.K) Co. Ltd 东莞市德索五金电子制品有限公司 Dosin Hardware Electronics Co., Ltd E-mail: dosin2005@163.com dosin2005@dosin-china.com Web: http://www.dosinconn.com TEL: (0086) 769-81153906 FAX: (0086) 769-81875836
View			
UNIT	MM	NAME:	SMA Jack FOR PCB Connector
SCALE	1:1	SIZE	Product NO. DOSIN-806-0299
		DATE	2018/01/04
		CAD FILE	H/company drawings/BD
		SHEET:	1 OF 1