



Customer NO:		DOSIN-806-0295		
REV	DESCRIPTION	DWN	DATE	APPROVEN
A	First issue	Mr. CHEN	2017/2/20	John kine
B				

1 Electrical

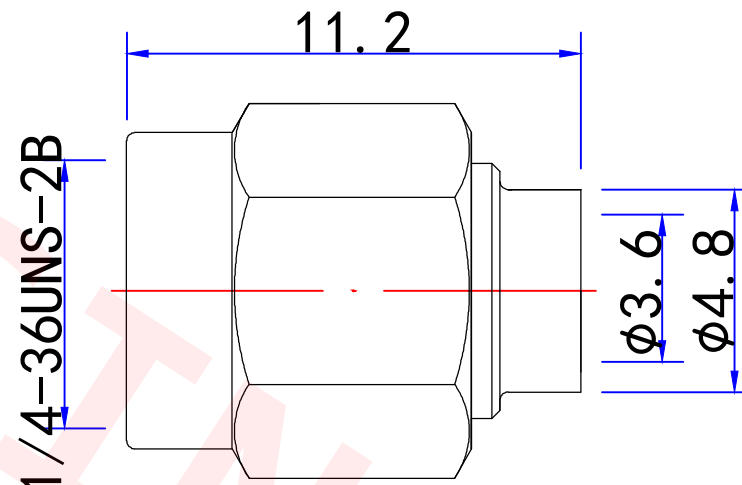
- 1.1 Impedence 50 Ω
- 1.2 Frequency DC~18GHz
- 1.3 Dielectric withstanding voltage 1000V(volts RMS)
- 1.4 Center contact resistance ≤ 3MΩ
- 1.5 Outer contact resistance ≤ 2MΩ
- 1.6 Insulation resistance: >5000MΩ

2 Environmental&Mechanical

- 2.1 Temperature range -40℃~+70℃
- 2.2 RoHs Compliant
- 2.3 Durability >500 cycles

3 Materials&plating

- 3.1 Body: Brass; Gold plated
- 3.2 Insulator: Teflon
- 3.3 Contact Pin: Brass, gold plated
- 3.4 Nut: Brass, gold Plated
- 3.5 Gasket: Silicon Rubber (red color)



NOTE:		Tolerance	X.	±0.15	Dosin Industrial (H.K) Co. Ltd 东莞市德索五金电子制品有限公司 Dosin Hardware Electronics Co., Ltd	E-mail:dosin2005@163.com	
DRAWN			X.X	±0.10		dosin2005@dosin-china.com	
Zelin. Zhang		View	X.XX	±0.05		Web:http://www.dosinconn.com	
CHECKED			UNIT	Angular		±5°	TEL: (0086) 769-81153906
APPROVALS		SCALE	1:1		DateTime	CAD FILE	SHEET: 1 OF 1
John				2017/2/20	H/company drawings/BD		
		NAME:	SMA PLUG FOR RG402 CABLE		SIZE	Product NO.	REV
					A	DOSIN-806-0295	A